

**Government of India**  
**Bhabha Atomic Research Centre**  
**Applied Physics Division**

**ENQUIRY**

**Ref: APD/CB/MF/17/MDK/331/OPA**

**Date: - 03/10/2017**

**Sub: Minor Fabrication - invitation of quotations for the job of “*DEVELOPMENT, SUPPLY, INSPECTION AND GUARANTEE OF “SS Electrode and Associated Accessories”*” as per drawing and specifications.**

**Due Date: - 17 October 2017**

Dear Sirs,

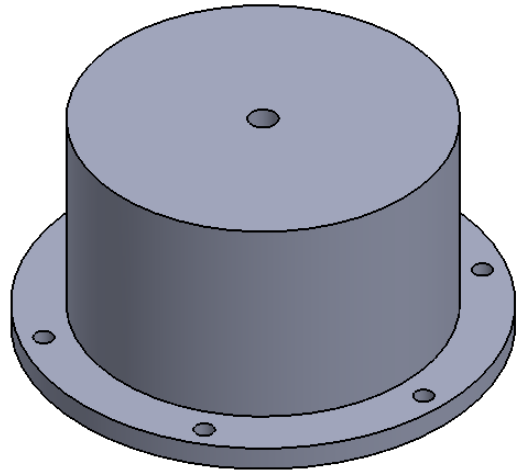
1. Quotations are invited for the minor fabrication job, as per the enclosed specifications and drawings.
2. Bidder shall quote for fabrication of these components with material.
3. Bidder shall take out an insurance policy in favor of BARC for any free issue material supplied.
4. Taxes shall be quoted separately. Form H shall be provided where necessary.
5. The quotations must reach, Head, Applied Physics Division on or before the due date referred above and must be sent in a sealed envelope super scribed with the above reference number and due date.
6. The address on the envelope should read:

The Head,  
Applied Physics Division, PURNIMA LABS,  
Bhabha Atomic Research Centre  
Trombay, Mumbai - 400 085.  
Attn:- **Mr. Mahesh D. Kale**

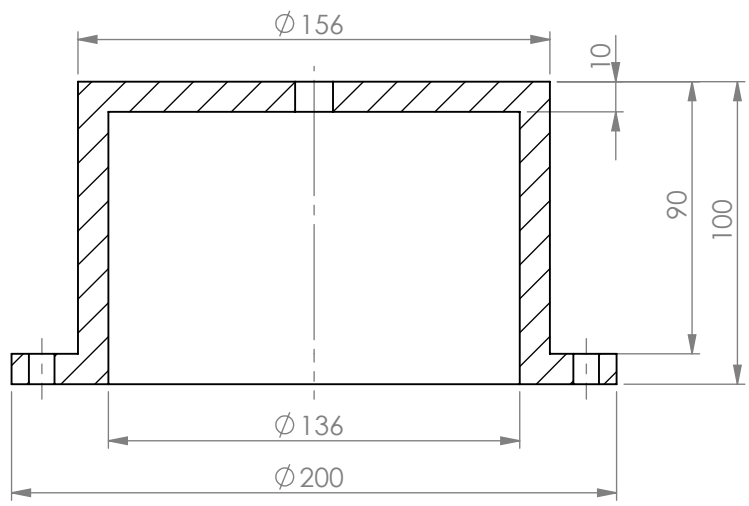
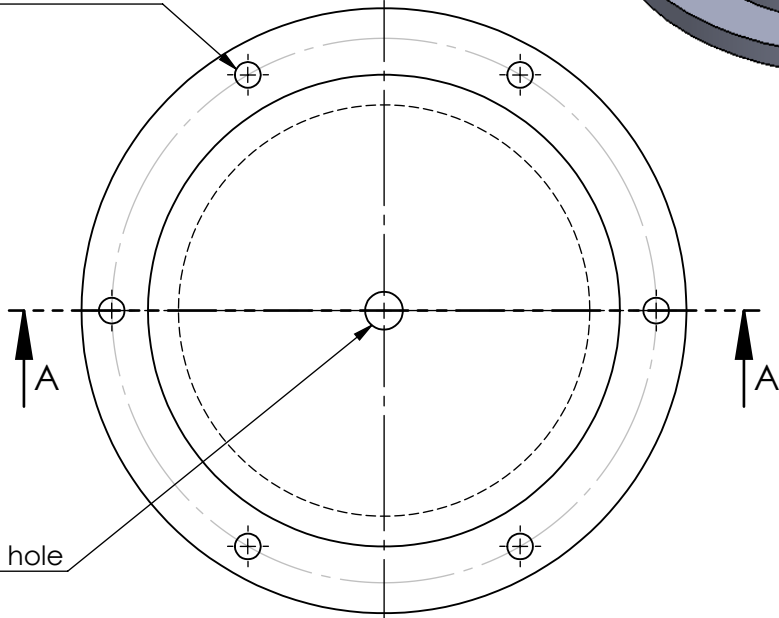
7. The fabrication work shall be subject to inspection by our representative. The finished components shall not be dispatched prior to approval by our representative at the bidder's works. Necessary inspection facilities should be provided to our engineers during fabrication at bidder's premises.
8. The bidder shall deliver the finished components after approval by our representative, within 3 months from the date of the firm purchase order issued to the bidder. The finished components shall be delivered by the bidder at Applied Physics Division, Purnima Laboratory, (Near Plutonium Plant), Bhabha Atomic Research Centre, Trombay, Mumbai-400 085.
9. Head, Applied Physics Division, BARC, reserves the right to accept/reject any or all quotations without assigning any reason.
10. Payment will be made only after satisfactory completion of work on production of bill, delivery challan and advance stamped receipt. It may be noted that IT @ 2% and surcharge on tax at 15% shall be deducted from your bills.
11. Job will be guaranteed against material and manufacturing defects for 1 year from the date of supply.

(Mr. Mahesh D. Kale)  
For and on behalf of.  
Head, Applied Physics Division

Ø 8.5 Thru. 6 holes  
equi-space on PCD 180



Ø 12.5 Thru. hole



**SECTION A-A**

NOTE:-  
1) TOLERANCE MAX. +/- 0.2mm.

UNLESS OTHERWISE SPECIFIED:  
DIMENSIONS ARE IN MILLIMETERS  
SURFACE FINISH:  
TOLERANCES:  
LINEAR:  
ANGULAR:

FINISH:

DEBURR AND  
BREAK SHARP  
EDGES

DO NOT SCALE DRAWING

REVISION

	NAME	SIGNATURE	DATE
DRAWN	DKV	DKV	06/09/2017
CHK'D			
APPV'D			
MFG			
Q.A			

TITLE:	<b>CYLINDER</b>	
MATERIAL:	NYLON/DELTRIN	DWG NO. 002
WEIGHT:		SCALE: SHEET 1 OF 1

A4

4

3

2

1

F

F

E

E

D

D

C

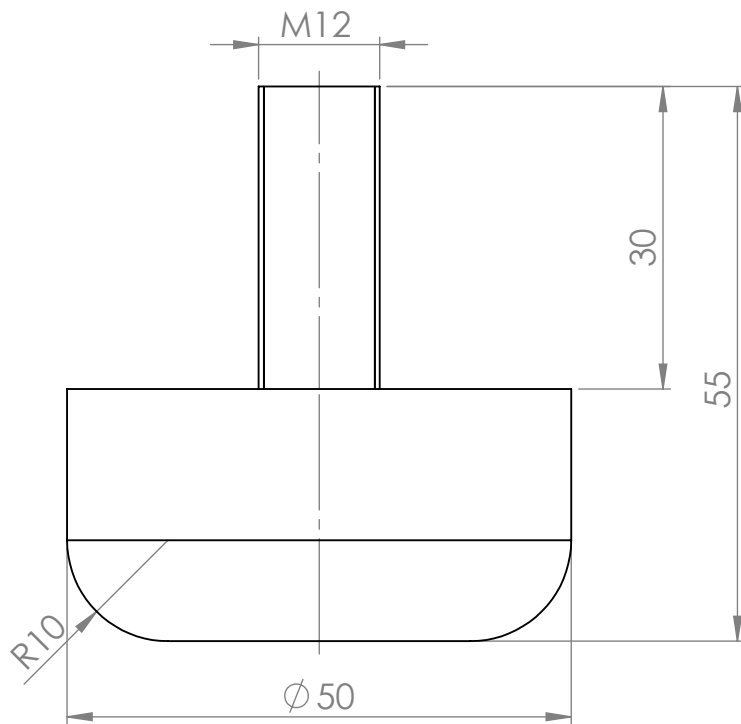
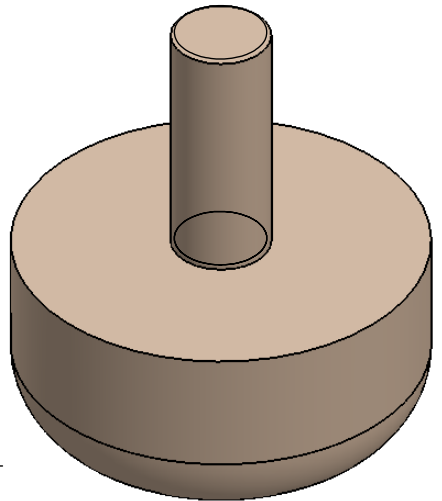
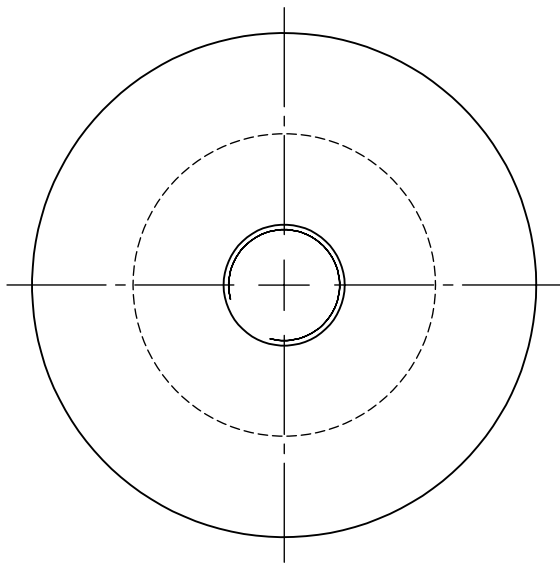
C

B

B

A

A



NOTE:-  
1) TOLERANCE MAX. +/-0.2mm.

UNLESS OTHERWISE SPECIFIED:  
DIMENSIONS ARE IN MILLIMETERS  
SURFACE FINISH:  
TOLERANCES:  
LINEAR:  
ANGULAR:

FINISH:

DEBURR AND  
BREAK SHARP  
EDGES

DO NOT SCALE DRAWING

REVISION

NAME	SIGNATURE	DATE
DRAWN DKV	DKV	06/09/2017
CHK'D		
APPV'D		
MFG		
Q.A		

TITLE:	M12 Bolt	
DWG NO.	005	A4
SCALE:	SHEET 1 OF 1	

MATERIAL:  
**SS304**

WEIGHT:

4

3

2

1

4

3

2

1

F

F

E

E

D

D

C

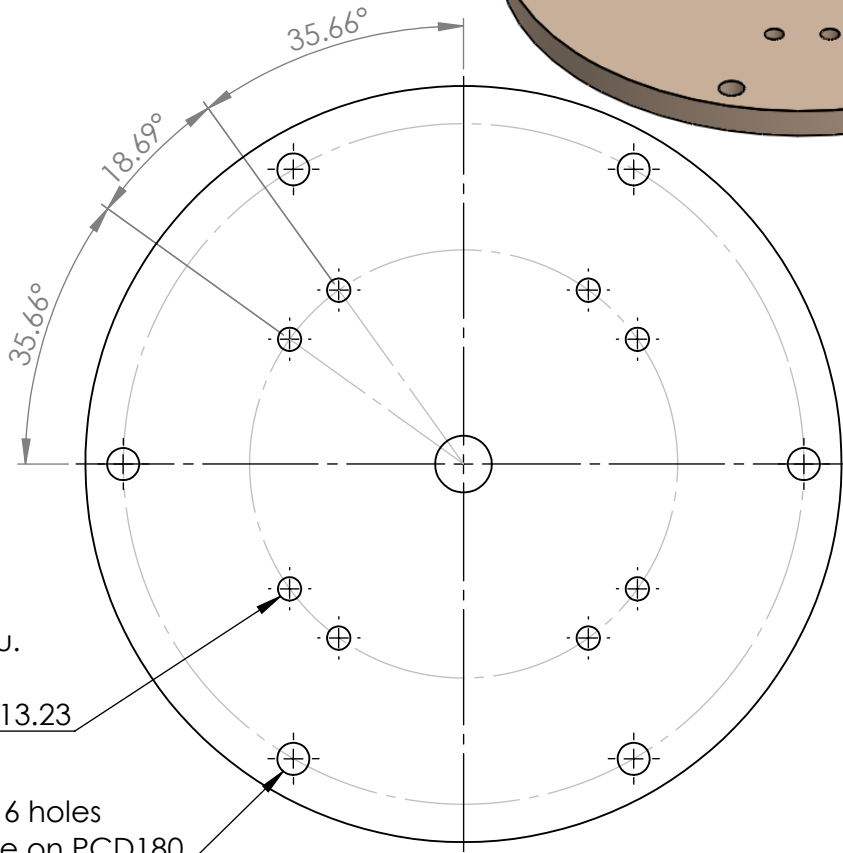
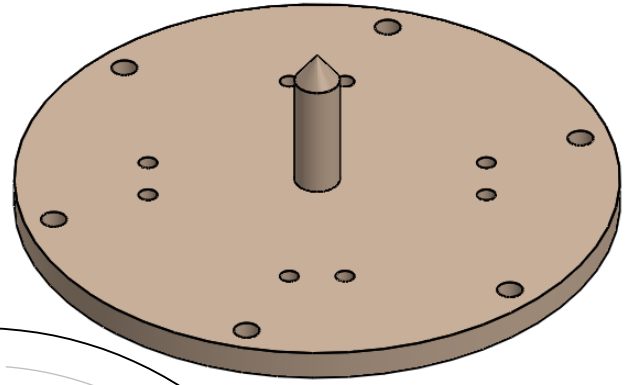
C

B

B

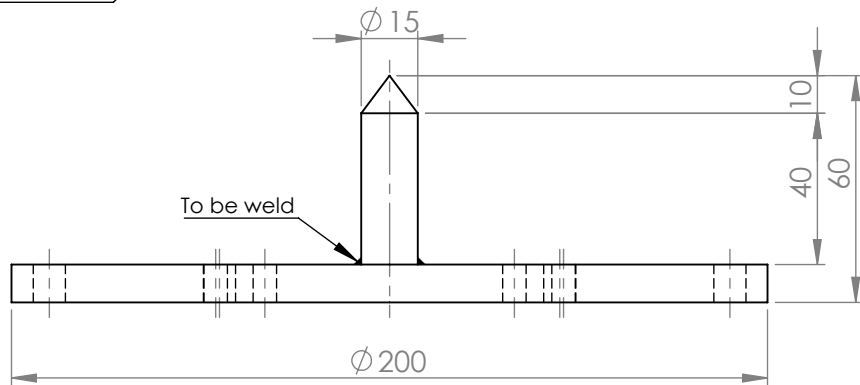
A

A



Ø 6.2 Thru.  
8 holes  
on PCD113.23

Ø 8.5 Thru. 6 holes  
equi-space on PCD180



NOTE:-

- 1) Tolerance max. +/- 0.2mm.
- 2) Two parts have to be made separate, then welded and finally polished to make welded part smooth.

UNLESS OTHERWISE SPECIFIED:  
DIMENSIONS ARE IN MILLIMETERS  
SURFACE FINISH:  
TOLERANCES:  
LINEAR:  
ANGULAR:

FINISH:

DEBURR AND  
BREAK SHARP  
EDGES

DO NOT SCALE DRAWING

REVISION

	NAME	SIGNATURE	DATE
DRAWN	DKV	DKV	06/09/2017
CHK'D			
APPV'D			
MFG			
Q.A			
MATERIAL:		SS304	
WEIGHT:			

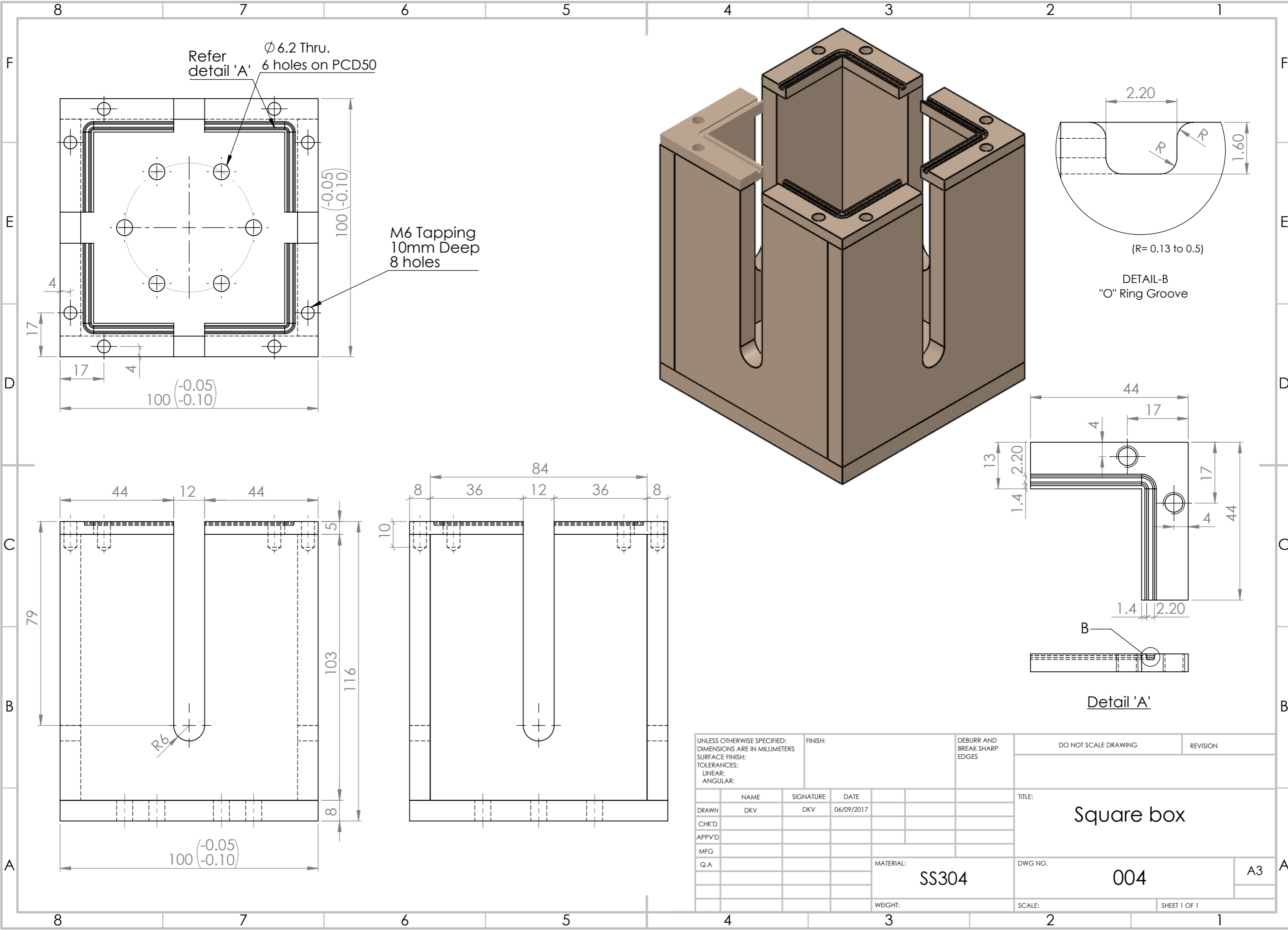
TITLE:		ROUND PLATE	
DWG NO.		003	
SCALE		SHEET 1 OF 1	
		A4	

4

3

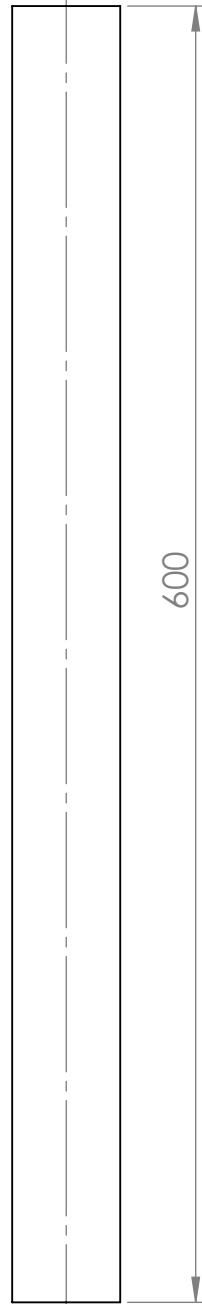
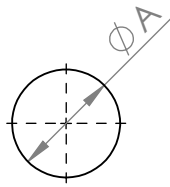
2

1



UNLESS OTHERWISE SPECIFIED: DIMENSIONS ARE IN MILLIMETERS SURFACE FINISH: TOLERANCES: LINEAR: ANGULAR:			FINISH:		DEBURR AND BREAK SHARP EDGES		DO NOT SCALE DRAWING		REVISION		
DRAWN DKV			SIGNATURE DKV		DATE 06/09/2017		TITLE: <b>Square box</b>				
CHK'D			MFG		Q.A		MATERIAL: <b>SS304</b>		DWG NO. <b>004</b>		
WEIGHT:			SCALE:		SHEET 1 OF 1		A3				

Sr.No.	Dimensions " $\phi$ A"	Quantity
01	$\phi$ 50	08 Nos.
02	$\phi$ 75	08 Nos.



NOTE:-  
 1) All dimensions are in mm.  
 2) Tolerance max. +/- 0.2mm.  
 3) Chemical & mechanical test certificate required.

UNLESS OTHERWISE SPECIFIED: DIMENSIONS ARE IN MILLIMETERS SURFACE FINISH: TOLERANCES: LINEAR: ANGULAR:	FINISH:	DEBURR AND BREAK SHARP EDGES	DO NOT SCALE DRAWING	REVISION

NAME	SIGNATURE	DATE	TITLE: <b>Al. ROD</b>
DRAWN			
CHK'D			
APPV'D			
MFG			
Q.A		MATERIAL: <b>Al 6061 T6</b>	DWG NO. <b>006</b>
			<b>A4</b>
		WEIGHT:	SCALE: SHEET 1 OF 1

## ACCESSORRIES

<b>SR.NO.</b>	<b>ITEM DESCRIPTION</b>	<b>QUANTITY</b>
1	PVC Pneumatic Tube ¼ Inch (Must Withstand Upto 10 Bar)	100 Meters
2	PVC Pneumatic Tube ½ Inch (Must Withstand Upto 10 Bar)	100 Meters
3	Brass Rectangular Bar 30mm x50mmx1000mm (acceptable in pieces greater than 200mm)	1No.
4	Copper Rectangular Bar 30mmx50mmx2000mm (acceptable in pieces greater than 200mm)	1No.
5	Perspex Circular Bar 30mm Diameter 1 meter Long	10 NOS.
5	¼ Inch Ferrule Nylon	200 NOS.
6	½ Inch Ferrule Nylon	200 NOS.
7	M6 Allen Head MS Bolts 1 Inch Long	200 NOS.
8	M6 Allen Head SS Bolts 15 mm Long	200 NOS.
9	M6 Hex Head SS Bolts 15 mm Long	200 NOS.
10	M6 SS Nuts	500 NOS.
11	M12 Hex Head SS Bolts 60 mm Long + M12 Hex Nut + M12 SS washer	100 NOS. each
12	Perspex Sheet 5mm X1meter X 1meter	1No.
13	Taparia T type allen key set (1.5mm, 2mm, 2.5mm, 3mm, 4mm, 5mm, 6mm, 8mm, 10mm)	1No.
14	Aluminium Sheet 2mm thick X 1meter length X 1meter width	1No.
15	Taparia L type allen key set long ball point mm size (1.5mm, 2mm, 2.5mm, 3mm, 4mm, 5mm, 6mm, 8mm, 10mm)	1No.
16	Taparia Double Ended Spanner Set 6x7, 8x9, 10x11, 12x13, 14x15, 16x17,18x19	1No.
17	Snap Off Retractable Utility Knife	10 Nos.