

दूरभाष :
TELEPHONE : 5505050/00/10,5563120 extn.4852
तार : बार्क-मुंबई, चेम्बुर.
TELEGRAMS: BARC-MUMBAI, CHEMBUR.
टेलिक्स : ०११-६१०१७/०११-६१०२२ बार्क ईन
TELEX: 011-61017/011-61022 BARC IN
फेक्स संख्या : ११-२२-५५६०७५०
FAX NUMBER: +91-22-5505151/5519613



सत्यमेव जयते

भारत सरकार
GOVERNMENT OF INDIA

भाभा परमाणु अनुसंधान केन्द्र
BHABHA ATOMIC RESEARCH CENTRE
URANIUM EXTRACTION DIVISION

ट्राम्ब,
मुंबई-४०० ०८५.
TROMBAY,
MUMBAI-400 085.

Ref: UED/PL.13/19/62310

April 3, 2019

Subject: Fabrication and supply graphite crucible for 600kg batch (15 no)

Tender no : BARC/UED/SC/19003 due on : 24.04.2019

Dear Sir,

Quotations are invited in sealed envelope for and on behalf of The President of India acting through Head, UED for the above stated subject job as per the following terms and conditions. **Please note that quotations shall be submitted on printed letterheads and must bear GST no/PAN no/TIN no etc. Quotations not complying with them are liable to be rejected.**

1. Job description: Fabrication and supply of graphite crucible as per the attached specification and drawing
2. Quantity : 15 no
3. Free Issue Material: Electricity, water and general work shop facility
4. Charges: Basic cost, GST, P&F and transportation. Complete breakup may please be given in the offer.
5. Delivery: Within 60 days
6. Guarantee: You shall give guarantee against any manufacturing defect and trouble free performance for a period of one year from the date of fabrication/modification.
7. Deduction of Income taxes: Income Tax @ 2% & 2% GST TDS will be deducted from your bill
10. Payment: 100% after satisfactory completion of work and submission of the following documents.
 - a. Delivery Challan
 - b. Original Invoice with GST
 - c. Advance stamped receipt
 - d. Guarantee certificate
 - e. ECS mandate form
 - f. PAN/GST Number etc.
 - g. GST undertaking as per Annexure - II

- h. *This is to clarify that that BARC is the final consumer of the goods/services procured against this work order and does not intend to make any outward supply. BARC will not avail the benefits of Input Tax Credit and hence, the goods can be supplied without quoting the GSTIN of BARC, Mumbai on the invoice. The invoices taxed under GST, as per rates applicable under the GST Schedule of Rates, shall be admitted for payment.*
- i. *This is to certify that concessional GST (5% in the current case) is applicable for supply of the material to BARC against this work order as per the notification vide Office order no: BARC/GST/12/2017 dated 27/12/2017*

Please note that any delay, which is attributable to the party, is liable to penalty @ 0.5% per week (max. 5.0%) to be imposed on the contractor.

8. TERMS AND CONDITIONS:

Note: [Reference: (2/Misc-9/Lgl/2001/92 dated April 30, 2001, BARC)]

- I. Confidentiality: No party shall disclose any information to any third party concerning the matters under this contract generally. In particular, any information identified as "Propriety" in nature by the disclosing party shall be kept strictly confidential by the receiving party and shall not be disclosed to any third party without the prior written consent of the original disclosing party.
This clause shall apply to the sub-contractors, consultants, advisers or the employees engaged by a party with equal force.
- II. "Restricted information" categories under Section 18 of the Atomic Energy Act, 1962 and "Official Secrets" under Section 5 of the Official Secrets Act, 1923:-
Any contravention of the above -mentioned provisions by any contractor, sub-contractor, consultant, adviser or the employees of a contractor will invite penal consequences under the aforesaid legislation.
- III. Prohibition against use of BARC's name without permission for publicity purposes:
The contractor or sub-contractor, consultant, adviser or the employees engaged by the contractor shall not use BARC's name for any publicity purpose through any public media like Press, Radio, T.V. or Internet without the prior written approval of BARC.

Quotations should reach on or before the stipulated date to Head, UED in sealed envelope through speed post or ordinary post mentioning clearly the tender no and due date.

Thanking you,

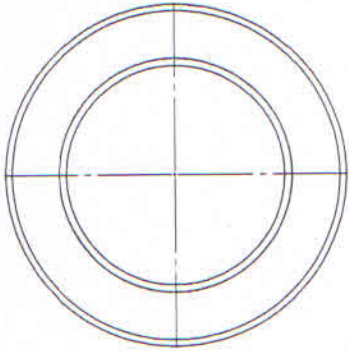
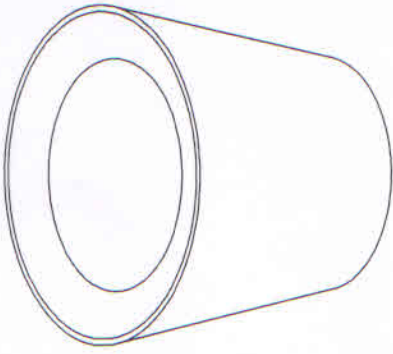


S Chowdhury (SO/H)

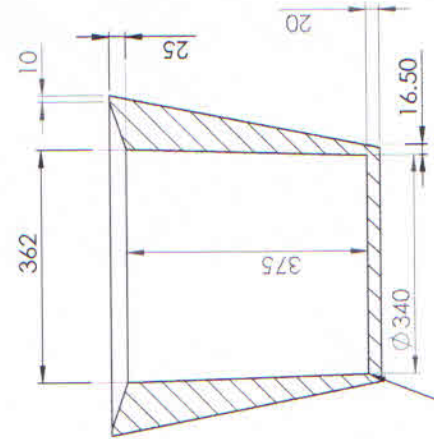
BRIEF TECHNICAL SPECIFICATIONS OF GRAPHITE CRUCIBLE (600kg)

For testing of raw material quality, contractor should supply a "machined test specimen" in the form of a solid cylinder [$\text{Ø}2" \times \text{H}6"$] or a rectangular block [$2" \times 2" \times 6"$]. Quotations without the machined test specimen may not be considered. Apart from this, the supplier has to furnish the raw material test certificate for chemical and physical from a reputed govt. approved laboratory along with the offer. After supply is made, similar testing shall be done randomly from the supplied crucibles and in case the results (Raw material result and finished product result) do not match with each other, material will be rejected and no payment will be made.

Apparent Density	: 1.67 gm/cc (min.)	Calcium (Ca)	: 500 ppm (max.)
Porosity	: 20% (Maximum)	Silicon (Si)	: 500 ppm (max.)
Particle size	: 0.8mm (max.)	Sulphur (S)	: 500 ppm (max.)
Volatile Matter	: 0.2% (max.)	Aluminum (Al)	: 200 ppm (max.)
Ash Content	: 0.32% (max.)	Nickel (Ni)	: 10 ppm (max.)
Carbon (C)	: 99.5% (min.)	Boron (B)	: 5 ppm (max.)
Iron (Fe)	: 0.1% (max.)	Cadmium (Cd)	: 5 ppm (max.)

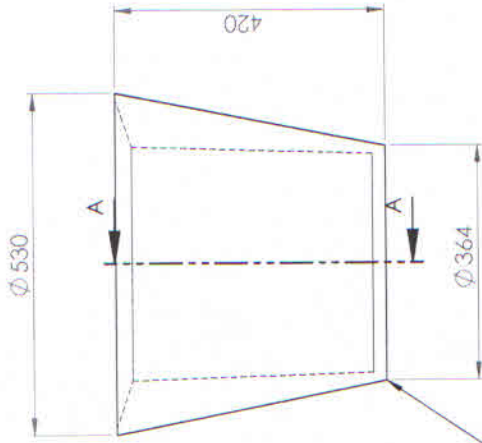


Top View



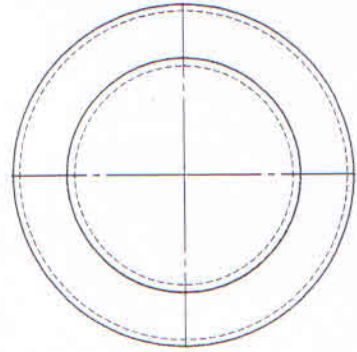
SECTION A-A
SCALE 1 : 8

Apply fillet of R5mm



Front View

Apply fillet of R10mm



Bottom View

UNLESS OTHERWISE SPECIFIED: DIMENSIONS ARE IN MILLIMETERS SURFACE FINISH: TOLERANCES: ANGULAR: 30° 0.05 mm		FINISH	DESIGN AND BLOCK SHARP EDGES	DO NOT SCALE DRAWING	REVISION
NAME	SIGNATURE	DATE	TITLE		
DRAWN	Amulya Raina		Bhabha Atomic Research Centre		
CHECK/ APPROV	Sujit Chowdhury		Crucible 660 New.		
			MATERIAL : Graphite Density : 1.67 g/cc		
			DWG NO. A3		
			SCALE: 1:1 SHEET 1 OF 1		

1 2 3 4 5 6 7 8