

**Government of India
Bhabha Atomic Research Centre
Technical Physics Division**

Ref : TPD / CTS /SS/2019/OPA/61432

Dated : 26/3/2019
02/04/2019

To: M/s.

Sub: Minor Fabrication - Invitation of Quotation.

Dear Sirs,

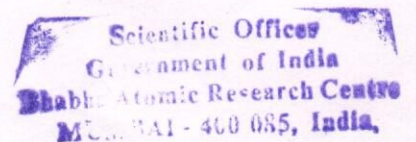
1. Quotations are invited for the minor fabrication job as per the enclosed specifications and drawing.
2. Bidder shall quote for fabrication of these components with material.
3. Taxes and excise duties shall be quoted separately. Form 'AF' shall be provided wherever necessary.
4. The quotations must reach Head, Technical Physics Division, by **22/4/2019** and must be sent by **Indian postal services in a sealed envelope** super scribed with the above reference number and due date given above.
5. The address on the envelope should read: The Head, Technical Physics division, Mod Labs., Bhabha Atomic Research Centre, Trombay, Mumbai - 85. Attn : Shashwati Sen
6. The bidder shall have to take an insurance policy against any material issued to him by the purchaser.
7. The fabrication work shall be subject to inspection by our engineers at bidder's works. Necessary inspection facilities should be provided to our engineers during fabrication at bidder's premises.
8. The bidder shall deliver the finished components after approval by our engineer within **One month** from the date the firm purchase order is issued to the bidder. The finished components and the scrap from the free issue material, if any, shall be delivered by the bidder at **CTS, TPD, BARC, Trombay, Mumbai - 85.**
9. Head, TPD, reserves the right to accept /reject any or all quotations without assigning any reason.

Specification: Fabrication of SS electrical panels as per the attached specifications and Drawing.

Quantity: 4 Nos Total

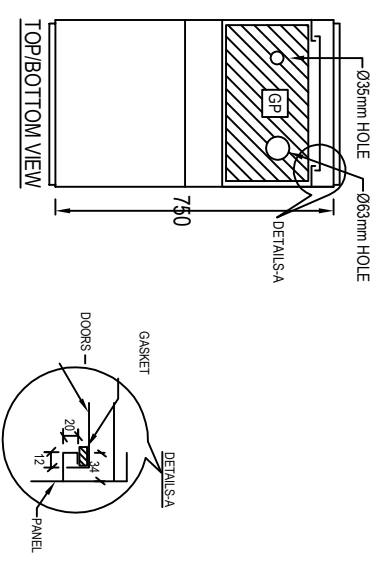
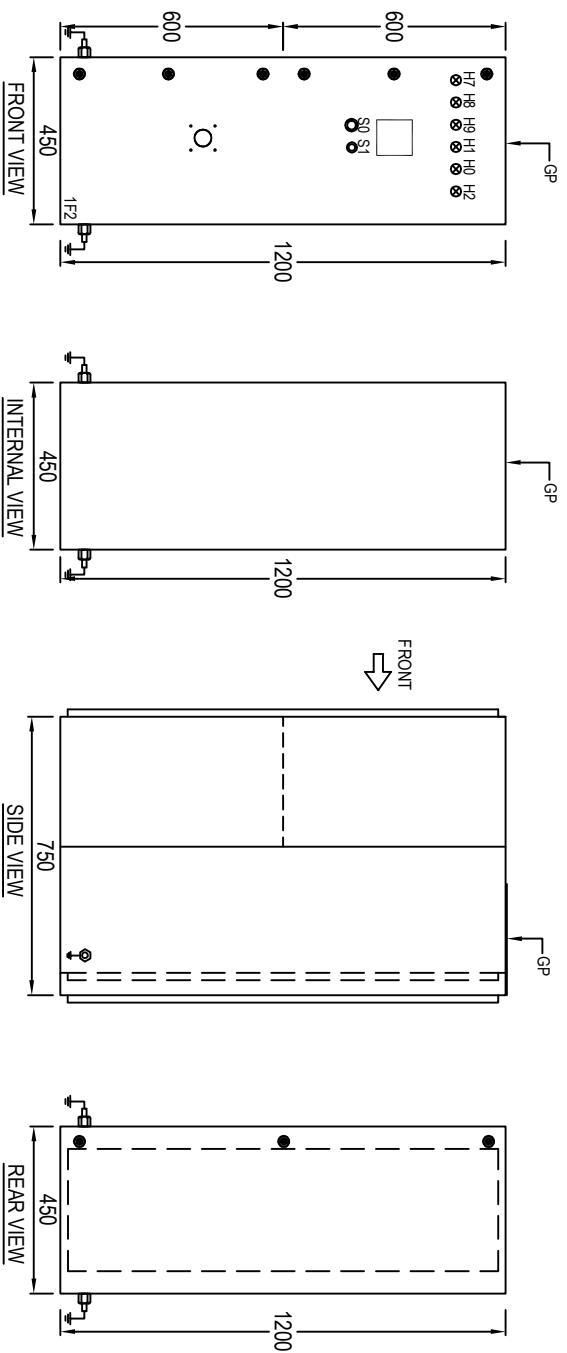


Shashwati


Scientific Officer
Government of India
Bhabha Atomic Research Centre
MUMBAI - 400 085, India.

Fabrication of electrical panels with specifications as per given below and drawing attached

S. No	Item	Quantity
1.	Electrical Panels having dimensions 450 x 1200x 750 mm duly fabricated out of 2 mm thick SS 304 sheet as per enclosed drawing No 1.	3 Nos
2.	Electrical Panels having dimensions 450 x 1200x 950 mm duly fabricated out of 2 mm thick SS 304 sheet as per enclosed drawing No 2.	1 No



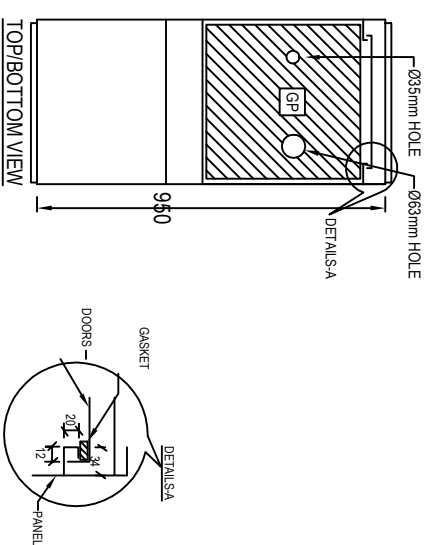
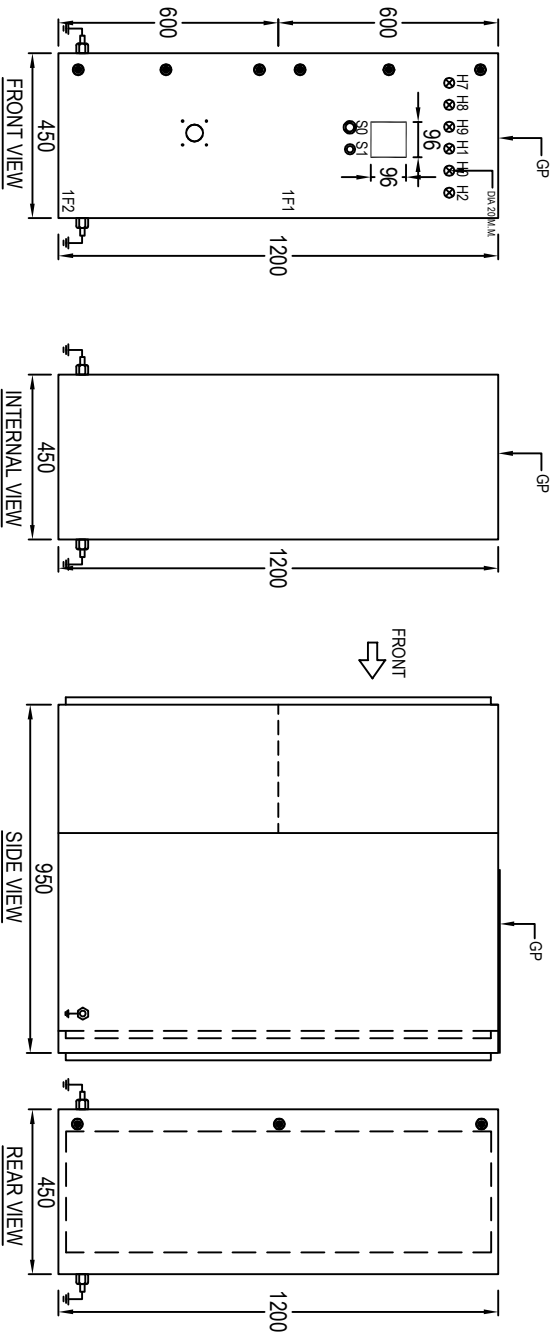
QTY - 3 NOS.

DRAWING FOR ELECTRICAL POWER PANEL

Remarks:-

1. Panel housing shall be fabricated out of 2 mm thk. SS 304 sheet of class -IV finish.
2. Single leaf hinged door shall be provided at front.
3. Holes shall be provided for indicators, cable entry, exit and other services.
4. All other material used for fabrication of panel housing shall be SS only. No other material shall be used.
5. For fixing switches / MCBs, proper arrangement shall be provided in the panel box.

Note:- The Drawing is indicative only. The contractor shall prepare detailed fabrication drawing and get it approved from dept. before fabrication of panel.



DRAWING FOR ELECTRICAL POWER PANEL

QTY -1 No.

Remarks:-

1. Panel housing shall be fabricated out of 2 mm thk. SS 304 sheet of class -IV finish.
2. Single leaf hinged door shall be provided at front.
3. Holes shall be provided for indicators, cable entry, exit and other services.
4. All the material used for fabrication of panel housing shall be SS only. No other material shall be used.
5. For fixing switches/ MCBs, proper arrangement shall be provided in the panel box.

Note:- The Drawing is indicative only. The contractor shall prepare detailed fabrication drawing and get it approved from Dept. before fabrication of panel.