

BARC, Trombay  
Mumbai - 400 085  
Phone no. 022-25594966



GOVERNMENT OF INDIA  
BHABHA ATOMIC RESEARCH CENTRE  
ATOMIC FUELS DIVISION  
FUEL ASSEMBLY SECTION

Ref: AFD/FAS/DPK/2019/28689

08/02/2019

**Sub: Fabrication and supply of Aluminium Boxes as per Sketch.**

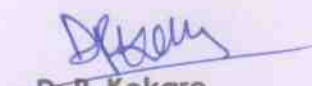
Dear Sir,


Your sealed offer is invited for & on behalf of President of India for "Fabrication and supply of Aluminium Boxes as per Sketch." The scope of work, general specifications, terms and conditions are enclosed in Annexure I.  
Your offer in sealed envelope should be addressed to,


**Shri. D. P. Kokare**  
Scientific Assistant,  
Atomic Fuels Division,  
BARC, Trombay,  
Mumbai - 400 085.

And duly marked with above reference no. and due date on the sealed envelope, reach us on or before 25/02/2019 by Speed Post/Registered Post only.

Yours faithfully,

  
D. P. Kokare  
SA/D, AFD

  
Anil Sharma  
SO/F, AFD

  
Rakesh Kumar  
Head, FAS, AFD

Encl: 1. Annexure I

## Description of works: -

## 1. Fabrication and Supply of Aluminium Box for rod storage as per Sketch.

- I. Fabrication and Supply of Aluminium Box for rod storage as per sketch.  
**Qty: 10 nos.**
- II. All the raw material (except FIM mentioned below) and required numbers of power lock fasteners, hinges, Handle, cover profile, locks, ACP sheets, etc. are in the scope of vendor's only.
- III. **FIM Details:**
  - Size of Rubber support: 52 X 65 X 460 mm with 5 numbers of grooves in pitch of 82 mm.
  - Total Quantity: 60 nos.
  - Material : Rubber
  - Total Cost: ₹ 60,000/-
  - Party should submit the insurance policy of FIM amount as per the attached format of insurance policy.
  - The FIM supplied (rubber support), shall be fixed in the support structure as shown in the drawing.
  - In case of any damage of FIM, cost shall be deducted from party in rate Rs. 1,000 per piece.
- IV. Bill of material for one Aluminium box is as follows:

Bill of materials for ONE box.					
Sr. no.	Item description	Size in mm	Mat.	Length in mm	Qty
1	Aluminium Section	40 x 120	Aluminium	4200	02 nos.
2	Aluminium Section	40 x 120	Aluminium	510	02 nos.
3	Aluminium Section	40 x 80	Aluminium	592	05 nos.
4	Aluminium Section	20 x 60	Aluminium	592	01 nos.
5	Aluminium Section	20 x 60	Aluminium	2070	04 nos.
6	Aluminium Section	20 x 60	Aluminium	592	02 nos.
7	Aluminium Section	20 x 60	Aluminium	1300	04 nos.
8	Eye Bolt	M12	SS	—	04 nos.
9	ACP Sheet	590 X 03	ACP	4200	02 nos.
10	Fasteners, Hinges, Handles, locks, ACP Sheet, etc.			As per standard requirement.	

- V. Four eye bolts or similar fixtures shall be provided for lifting the box with the help of ropes.
- VI. The weight of rods to be carried in each box is about 300 kg. Sections and accessories shall be chosen for carrying 300 kg load. Maximum deflection on longest section in fully loaded condition shall be less than 3mm.
- VII. The supplier shall clearly mention the make and details of sections and accessories being used in the offer itself. Offers not mentioning make and details of sections and accessories will be ignored.
- VIII. Only Indian make Aluminium sections shall be used for fabrication of the boxes. The related documents of Indian manufactures shall be submitted along with quotation.



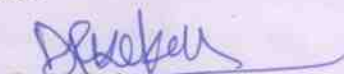
**General Terms & Condition: -**

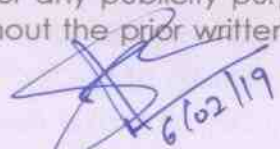
1. Quotations are to be printed on letter head / quotation format which should consists of sales tax registration number registered with local ST authority / CST authority, PAN of the firm, GST registration number etc. Quotations that are received in computer generated form are to be considered as invalid & rejected.
2. Vendor shall give acceptance of order.
3. One year guarantee certificate should be given by the supplier from completion of work.
4. Income tax @2% will be deducted from the Suppliers bill or whatever necessary will be specified at the time of placing the order.
5. Vendor shall clearly mention the cost & validity of the offer.
6. Payment will be arranged after satisfactory completion of work at AFD and on production of, a) Bills in triplicate, b) Advanced stamped receipt, c) Warranty/ Guarantee Certificate. Advance, Part Payment or against delivery cannot be made. Proposed payment terms from tendered cannot be accepted.
7. Any delay in completion of work, which is attributable to the contractor, is liable for penalty @1/2 % per week (max 5 %) to be imposed on the vendor.
8. In the event of order the vendor should arrange PVC for their personnel to visit AFD, BARC for this work at their own cost.
9. **Quotations shall be sent only by "Registered/Speed post"**
10. In case of any clarification required supplier shall contact **Shri. D. P. Kokare, AFD, BARC, Mumbai 400 085, Tel. No. 2559 4966. OR Shri. Amit Sharma, AFD, Tel. No. 2559 4844. (Email:- dpkokare@barc.gov.in)**
11. The quotation shall reach us on or before **25<sup>th</sup> February, 2019** and shall be addressed to the undersigned.
12. Order execution period shall be **02 Months** from date of placement of order.

**Confidentiality clause:-**

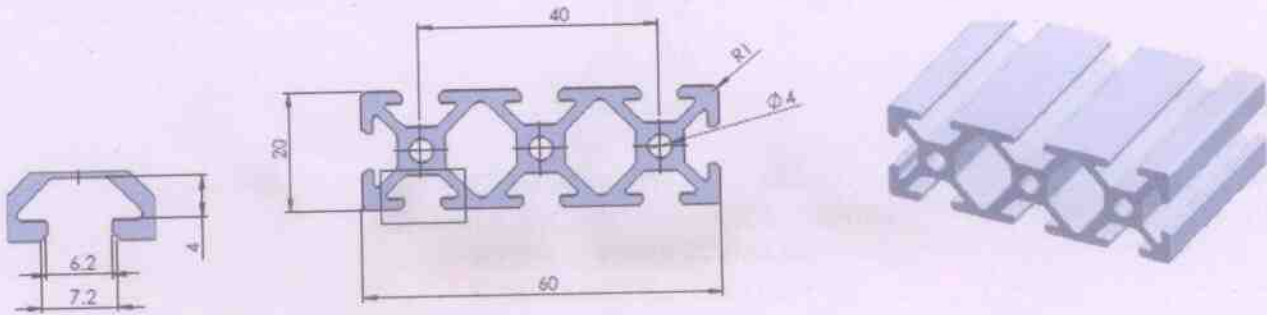
No party shall disclose any information to any third party concerning the matters under this contract generally. In particular, any conformation identified as "Proprietary" in nature by the disclosing party shall be kept strictly confidentiality by the receiving party and shall not be disclosed to any third party without the prior written consent of the original disclosing party. This clause shall apply to the sub-contractors, consultants, advisers or the employees engaged by a party with equal force.

- "Restricted information" categories under Section 18 of the Atomic Energy Act 1962 and "Official Secrets" under Section 5 of the Official Secrets Act 1923. :-
- Any contravention of the above-mentioned provisions by any contractor, sub-contractor, consultant adviser or the employees of a contractor will invite penal consequences under the aforesaid legislation
- Prohibition against use of BARC's name without permission for publicity purposes.
- The contractor of sub-contractor, consultant, adviser or the employees engaged by the contractor shall not use BARC's name for any publicity purpose through any public media like Press, T.V. or Internet without the prior written approval of BARC.

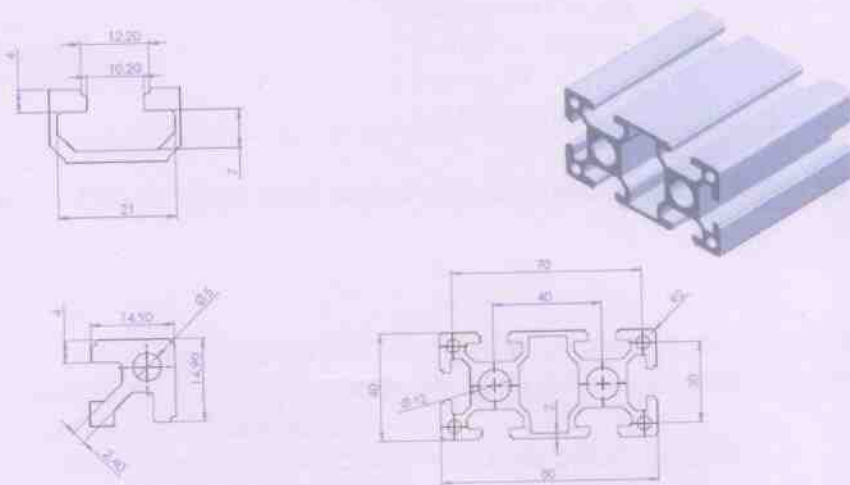
  
D. P. Kokare  
SA/D, AFD

  
Amit Sharma  
SO/F, AFD

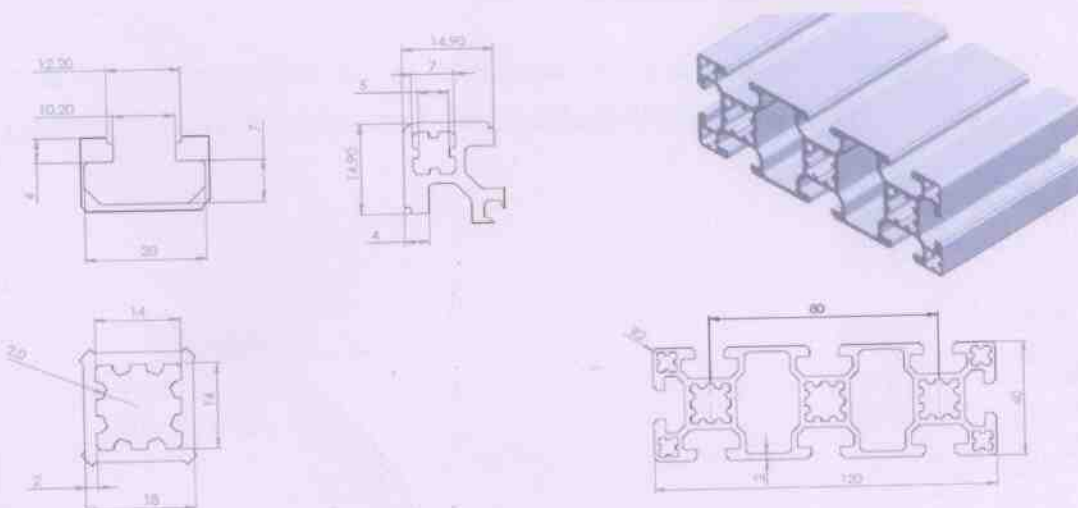
## Aluminium Section 60 X 20mm



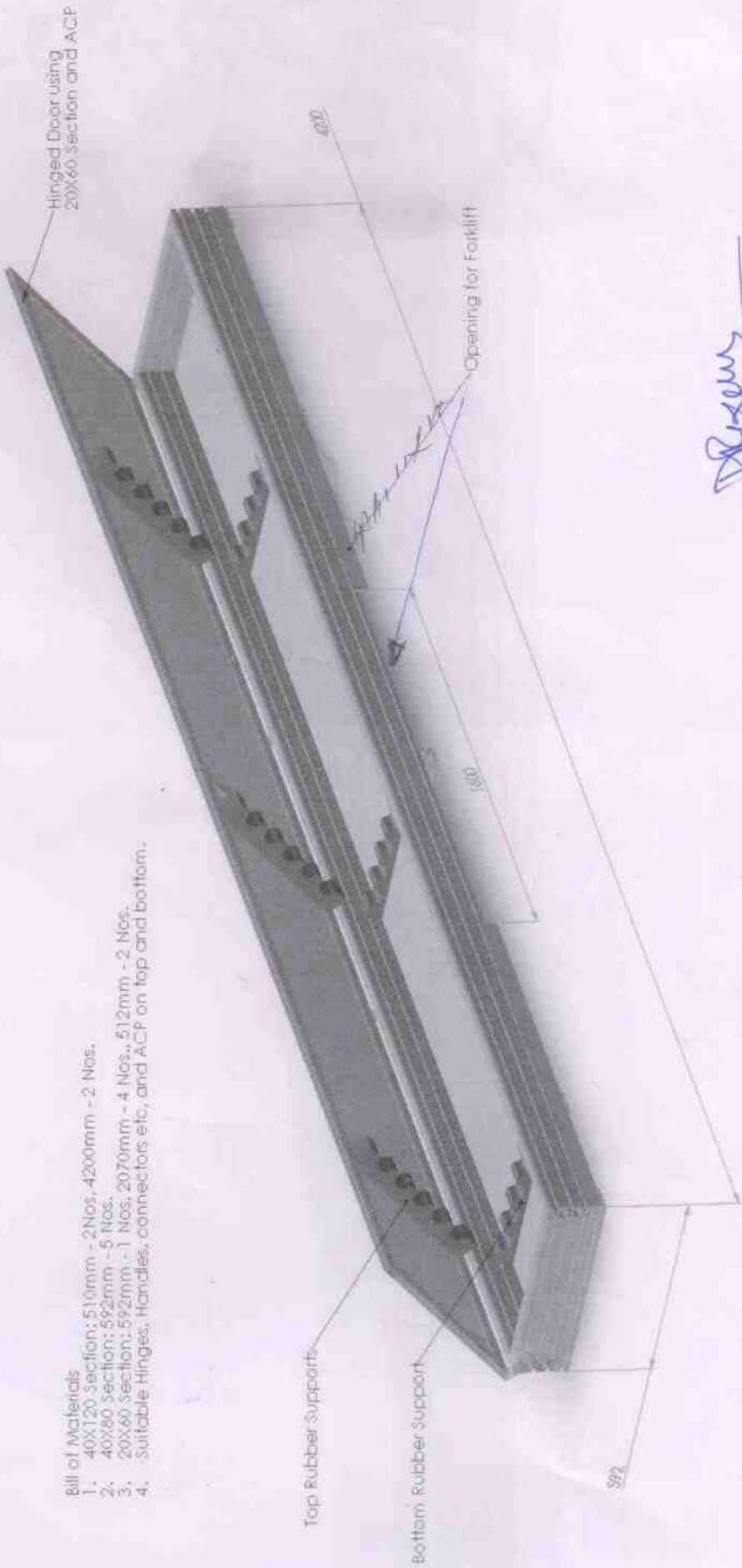
## Aluminium Section 80 X 40mm



## Aluminium Section 80 X 120mm



- Bill of Materials
1. 40X120 Section: 510mm - 2Nos, 4200mm - 2 Nos.
  2. 40X80 Section: 592mm - 5 Nos.
  3. 20X60 Section: 592mm - 1 Nos, 2070mm - 4 Nos., 512mm - 2 Nos.
  4. Suitable Hinges, Handles, connectors etc, and ACP on top and bottom.



*D. P. Kokare*  
D.P. Kokare