

**Government of India
Bhabha Atomic Research Centre**

TECHNICAL PHYSICS DIVISION

Ref : TPD / KGB / 2018 / 209719

Mod Labs., Trombay.
Dated: 30 – 10 – 2018.

Sub : Minor Fabrication - Invitation for Quotation.

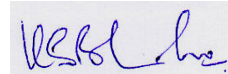
Fabrication and Supply of Coaxial Glass to Metal Seals as per drawings and specifications.

Quantity: 25 nos.

Dear Sirs,

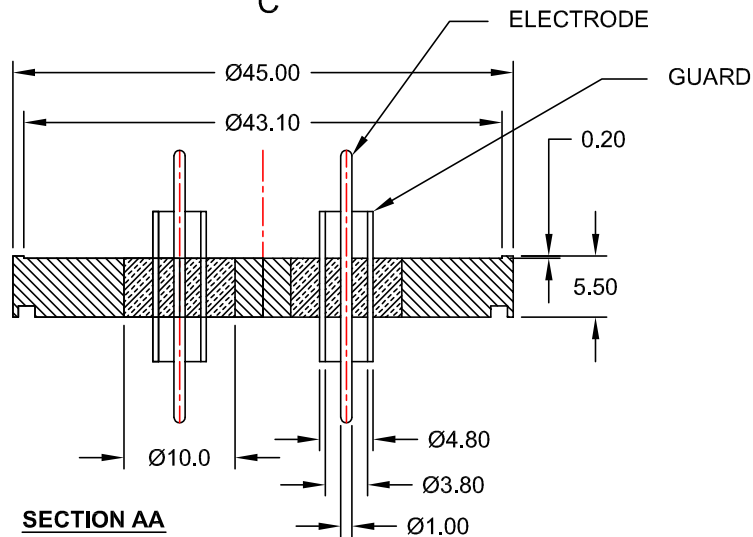
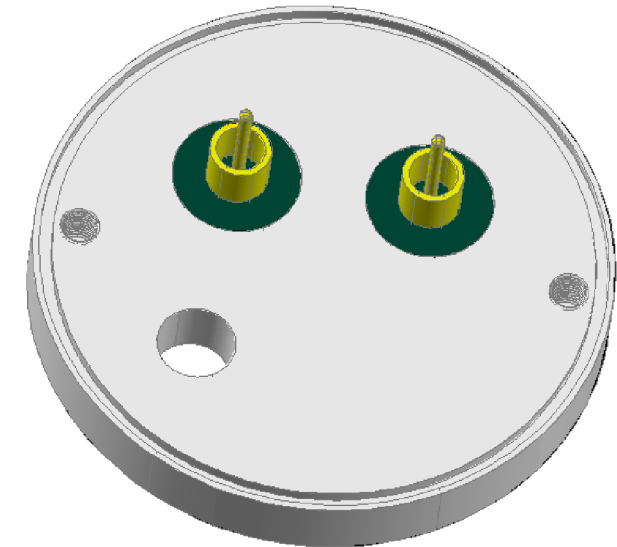
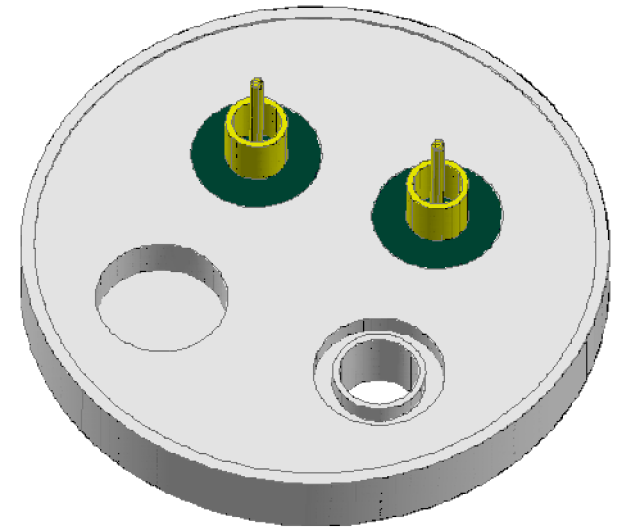
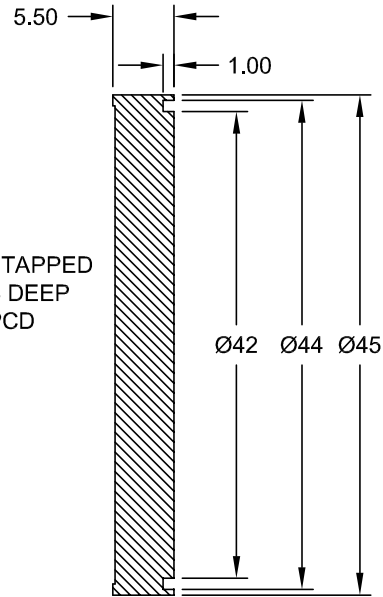
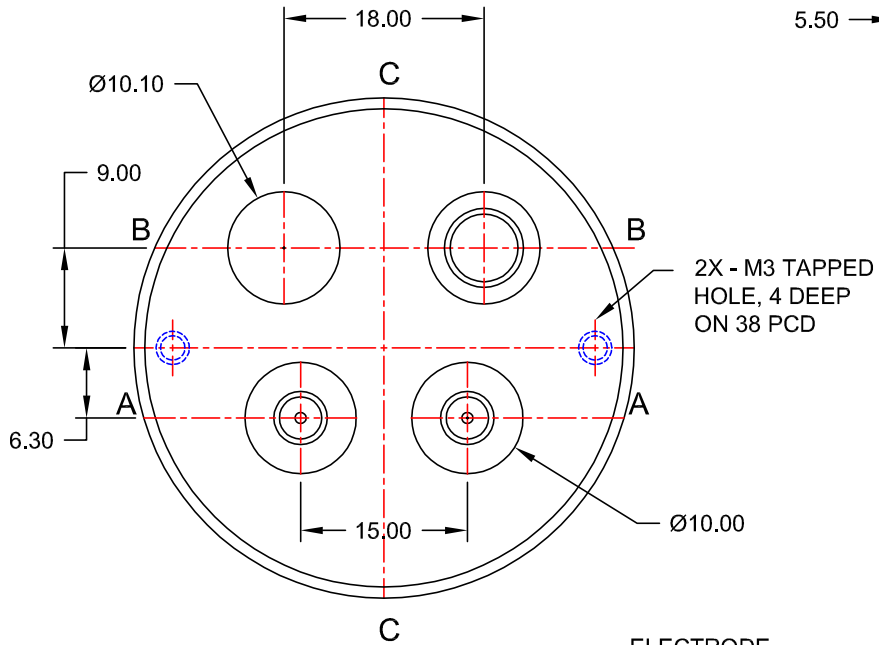
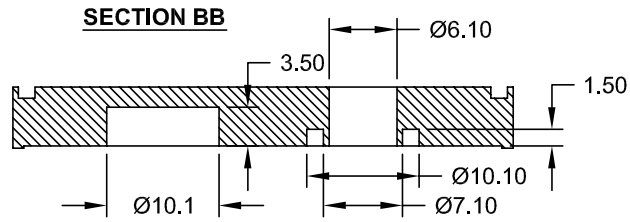
1. Quotations are invited for the minor fabrication job as per the enclosed specifications and drawings.
2. GST shall be quoted separately.
3. **Please mention PAN and GST Reg. Nos., SSI certificate if available and affix company seal.**
4. The quotations must be sent by **Normal Post or Speed Post**, to The Head, Technical Physics Division, so as to reach by 3:00 p.m, **12 – 11 – 2018** and must be sent in a sealed **envelope superscribed with the above reference number and due date** given above. The quotations will be opened on **12 – 11 – 2018, 4:00 p.m**
5. The address on the envelope should read :
The Head,
Technical Physics Division, Mod Labs.,
Bhabha Atomic Research Centre, Trombay,
Mumbai – 400 085. Attn : Dr. K. G. Bhushan
6. The fabrication work shall be subject to inspection by our engineers at bidder's works. Necessary inspection facilities should be provided to our engineers during fabrication at bidder's premises.
7. The bidder shall deliver the finished components after approval by our engineer within **60 days** from the date the firm purchase order is issued to the bidder. The finished components and the scrap from the free issue material shall be delivered by the bidder at **North Gate, B. A. R. C, Trombay, Mumbai - 85.**
8. Head, T P D, B A R C., reserves the right to accept /reject any or all quotations without assigning any reason.

Encl : Drawings / Specifications Sheets.



**For Head,
Technical Physics Division**

CO-AXIAL GLASS TO METAL SEALS WITH FLOATING GROUND



NOTE :

LEAK TIGHTNESS OF SEALS : < 1 X 10E-9 MBAR LIT / SEC,
BY HELIUM MSLD

MATERIALS :

- 1) CENTER PIN : GOLD PLATED, ALLOY 52
- 2) FLOATING GROUND : GOLD PLATED, KOVAR / ALLOY 52
- 3) SEALING GLASS : BORO SILICATE, KODIAL
- 4) FLANGE BODY : SS 304

QUANTITY : 25 NOS.

DR. K. G. BHUSHAN
TECHNICAL PHYSICS DIVISION,
BARC, MUMBAI 400 085.
TEL : 2559 3891