

**Government of India**  
**Bhabha Atomic Research Centre**  
**SSES, RD&DG**

Hall 7, Trombay, Mumbai-85  
 Jan, 31, 2019

Ref: SSES/GRR/SS/MF/2019/ 22596

Sub: Casting of pedestal and foundation for cooling tower at Hall 11 - invitation to quote

Sealed quotations are invited by Head, SSES, RD&DG, BARC for casting of pedestal and foundation for cooling tower at Hall 11 as per the enclosed specifications and quantities given below:

**SCOPE:**

The scope of work involves:

Item No.	Descriptions	Quantity (approx.)	Unit
1	Excavation and disposal of soil as per direction of Engineer-in-charge ( 3.2 m × 2.7m × 0.8 m )	7.00	CuM
2	300 mm Murram compact filling ( 3.2 m × 2.7 m × .3 m)	2.70	CuM
3	300 mm crushed stone filling ( 3.2 m × 2.7 m × .3 m)	2.70	CuM
4	200 mm PCC ( 3.2 m × 2.7 m × .2 m)	1.80	CuM
5	Concrete in 200 mm thick RCC footing ( M 30 and Fe 415) (4× 1.2m× 1.2m× .2 m)	1.20	CuM
6	Reinforcement in RCC footing 12 mm dia @ 200 mm c/c on both sides.	50.00	kg
7	Concrete in 4 RCC Columns c/s 0.3 m × 0.3 m and height 1 m	0.4	CuM
8	Reinforcement in 4 RCC columns @ 1% of cross section area.	30.00	kg
9	Concrete in 4 RCC beams c/s 0.3 m × 0.3 m × 5.2 m	0.5	CuM
10	Reinforcement in 4 RCC beams @ 1% of cross section area.	40	kg
11	Shear reinforcement 8 mm dia in beams and column	35	kg
12	Curing of concrete footing for 14 days	as applicable	
13	Shuttering	as required	
14	Transport	as applicable	

Diagrams are shown in Figure 1 to Figure 5 (all dimension are in mm unless specified)

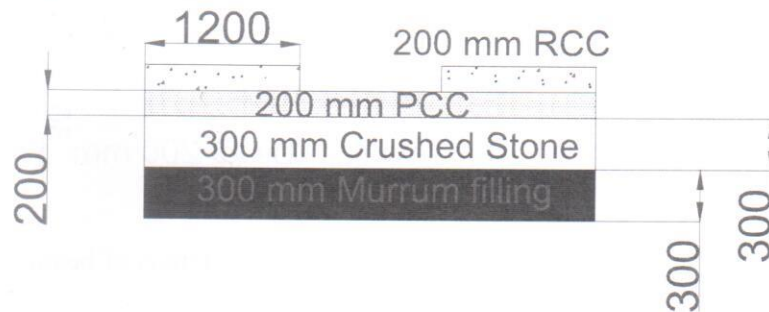


Figure 1: Filling details

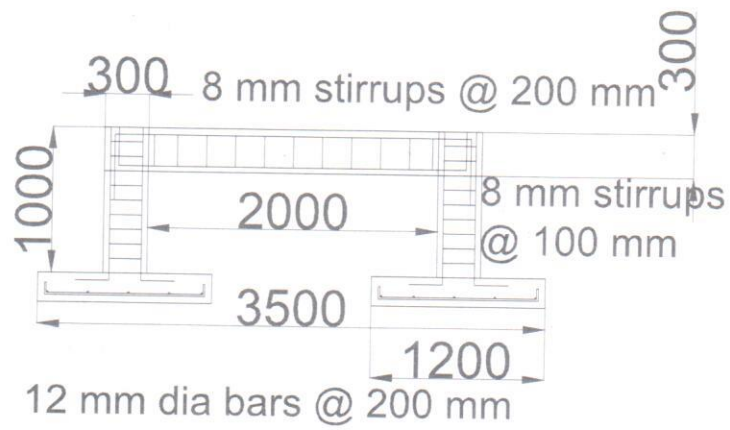


Figure 2: Section view footing: 1

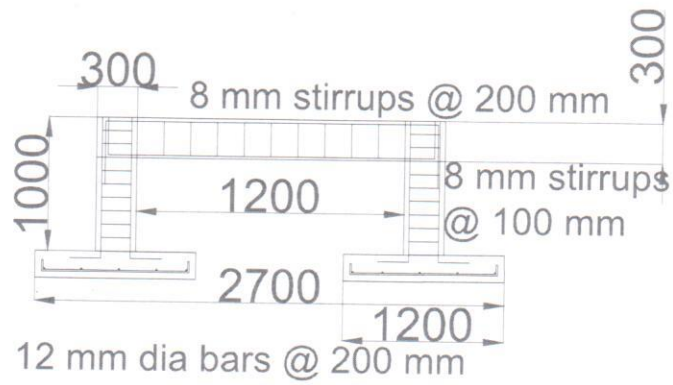


Figure 3: Section view footing: 2




Figure 4 : Cross section details of column




Figure 5: Cross section details of beam

**Notes to contractor:**

1. The taxes and excise duty shall be quoted separately.
2. **The bidder should mention PAN No./ GST No in the quotation.**
3. The Quotations must reach to **Shailesh Sharma, SO/D, SSES, (RSD Office), Room no 411, Engg. Hall 7, BARC, TROMBAY, MUMBAI-400 085** by **11-Feb-2019** by **Indian Speed Post only**. The sealed envelope should super scribe "MINOR FABRICATION" and indicate this **office reference number** and **due date** of opening clearly. The quotations will be opened on **12-Feb-2019 at 14:00 Hrs.**
4. The items shall conform strictly to the specification and standards.
5. **In case the bidder need to clarify and understand the full scope of his work before submitting the quotation, he may do so by prior appointment with Shri Shailesh Sharma, SO/D, SSES, RD&DG, Engg. Hall No. 7, BARC, Trombay, Mumbai- 400 085 on phone no. 25593548.**
6. Casting shall be subject to inspection at site by our concerned engineer or his authorized representative. Necessary inspection facilities shall have to be provided to our representative during casting work at site.
7. Work should be started within 10 working days from date of receipt of work order and should be completed within 60 working days from the date of receipt of work order.
8. The price quoted should be valid for at least 90 days from the date of opening of the quotation.
9. The payment shall be made as per rules after completion of the job satisfactorily and acceptance by the user.
10. Contractor must have PVC (police verification certificate) and local address proof of all labors, supervisor, engineers or any other person to be brought in BARC for execution of work.
11. Head, SSES, RD&DG reserves the right to accept/ reject any or all the quotations received without assigning any reason whatsoever.
12. No transport will be provided by BARC for execution of this work.
13. The contractor should strictly follow "confidentiality clause" as per Annexure-I.

  
31 Jan 2019  
Shailesh Sharma  
SO/D, SSES, RD&DG

Approved by

  
Dr. G. R. Reddy 31/01/19  
Head, SSES, RD&DG

डॉ. जी. आर. रेड्डी  
Dr. G. R. REDDY

Copy to:

1. Shri Shailesh Sharma, SO/D, SSES, RD&DG  
अध्यक्ष, संरचनात्मक एवं भूकंप इंजिनियरिंग अनुभाग  
Head, Structural & DG Seismic Engineering Section
2. Asstt. Stores Officer, Zonal 9, Engg. Hall 7  
भा.प.अ. केंद्र/BARC



### Annexure -I

1. **Confidentiality:** -No party shall disclose any information to any third party concerning the matters under this contract generally. In particular, any information identified as “**Proprietary**” in nature by the disclosing party shall be kept strictly confidential by the receiving party and shall not be disclosed to any third party without the prior written consent of the original disclosing party. This clause shall also apply to the sub-contractors consultants, advisers or the employees engaged by a party with equal force.
  
2. **“Restricted information” categories under Section 18 of the Atomic Energy Act. 1962 and “Official Secrets” under Section 5 of the Official Secrets Act. 1923:-**  
Any contravention of the above-mentioned provisions by any contractor, Sub- contractor, consultant, adviser or the employees of a contractor will invite penal consequences under the aforesaid legislation.
  
3. Prohibition against use of BARC’s name without permission for publicity purposes:  
The contractor or sub-contractor, consultant, adviser or the employees engaged by the contractor shall not use BARC’s name for any publicity purpose through any public media like press, Radio, T.V. or Internet without the prior written approval of BARC.