

**Government of India**  
**Bhabha Atomic Research Centre**  
**Electronics & Instrumentation Systems Division**

Ref: BARC/LPS/EISD/537/2017/NIT/11

Date: 07/09/2017

**Sub: Invitation of Quotation for Strip aperture and Disc aperture as per specifications in annexures-II, III**

Dear Sir,

1. Quotations are invited for the Strip aperture and Disc aperture as per specifications in annexures-II, III
2. Bidder shall quote for supply of all the items, as per specifications in annexures. Partial quotations will not be accepted.
3. Taxes and Excise Duties must be quoted separately. Form AF / H whichever is applicable shall be provided, if required.
4. The quotation must reach Head, EISD by 22-09-2017 and must be sent in a sealed envelope super scribed with the reference number & the due date given above.

The address on the envelope should read:

**Head, EISD, BARC, Trombay, Mumbai – 400085.**

**(Kind Attn: Shri S. Saikrishna)**

Quotations may also be submitted through e-mail to the following e-mail ids:  
[amuthan@barc.gov.in](mailto:amuthan@barc.gov.in), [pshah@barc.gov.in](mailto:pshah@barc.gov.in), [anshuw@barc.gov.in](mailto:anshuw@barc.gov.in), [sspany@barc.gov.in](mailto:sspany@barc.gov.in).

5. The bidder shall deliver the items within **3 weeks** from the date of issue of purchase order. The deliverables shall be supplied at:  
**Room no: 418, E&SC Building, EISD, BARC, Trombay, Mumbai - 400 085.**
6. Head, EISD reserves the right to accept/reject any or all quotations without assigning any reason.
7. Delivery charges if any must be clearly mentioned in the offer.
8. Quotation must also indicate the duration of validity of offer.
9. Drawings / Sketches must not be given to other party.
10. The Bidder should also provide PAN/TAN/GIR/GSTIN No.

*S. Saikrishna*  
07/09/2017

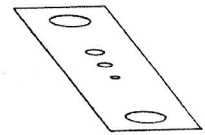
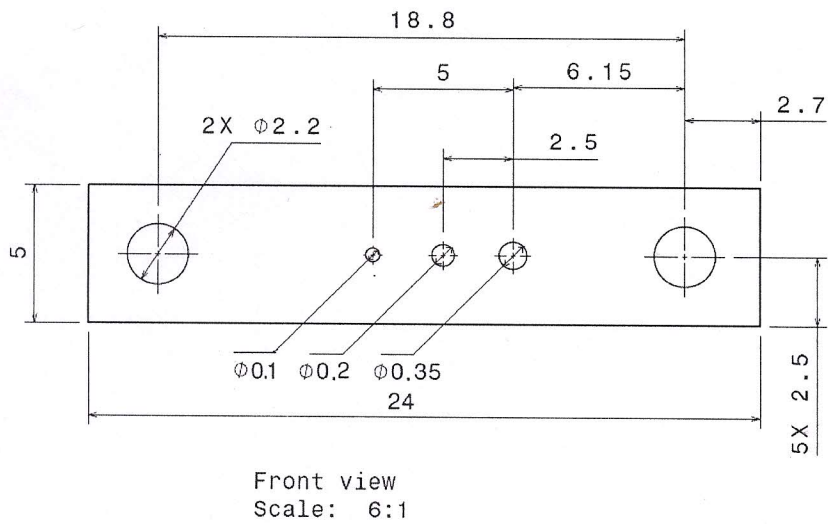
(S.Saikrishna)  
SO/C, SIS, EISD, BARC  
Extn. No: 022 25594899

Enclosure: Annexure-II & III

**Annexure - II**

**Specifications of Strip aperture**

- 1. Part Number : 780107349
- 2. Type Number : P110390
- 3. MOC : Molybdenum
- 4. Coating : Tungsten
- 5. Dimension : 24 mm X 5mm X 0.02mm
- 6. Aperture diameters : 100, 200 & 350 microns
- 7. Thickness : 20 microns



Isometric view  
Scale: 4:1

Left view  
Scale: 6:1

Fig II.1: Aperture strip

*ALL DIMENSIONS ARE IN MM.*

The dimensions of aperture strip are shown in Fig. II.1.

*S. Sankar*

Annexure - III

**Specifications of Disc aperture**

- |                |               |
|----------------|---------------|
| 1. Part Number | : 418001944   |
| 2. Type Number | : P110174     |
| 3. MOC         | : Molybdenum  |
| 4. Diameter    | : 6mm         |
| 5. Bore size   | : 1000 micron |
| 6. Thickness   | : 20 micron   |

*S. Saitkishna*