

Government of India
Bhabha Atomic Research Centre
Radiation & Photochemistry Division

Ref:- **RPCD/ P DN/ MK/ 150221**

Date:- August 2, 2018

Sub:- Invitation of quotation for supply, installation and commissioning of laboratory work benches & wall mounted cabinets

Sealed quotations are invited on behalf of President of India by Head, Radiation & Photochemistry Division, BARC, Trombay, as per enclosed specification from the eligible contractors having adequate experience in similar works with the units of DAE, NPCIL, or Public Undertakings.

Bidder shall quote for the supply & installation of laboratory work bench and wall mounted cabinets in C-138, Common Facility Building, BARC. Technical specifications for the supply & installation of laboratory work bench and wall mounted cabinets are mentioned in Annexure-1.

The quotation must reach Head, Radiation & Photochemistry Division by **17th August 2018** and must be sent in a sealed envelope. **Sealed envelope should clearly indicate Name of work, Reference number & due date of submission.** The address on the envelop should read as

The Head, Radiation & Photochemistry Division
Kind Attention-Dr. Manoj Kunbhakar
Bhabha Atomic Research Centre, Trombay
Mumbai-400085

The offer should be valid for at least 60 days from the due date of the tender and quoted price shall remain firm during the period of execution of the work

The quotation should be submitted on printed letter head indicating VAT/Sales Tax, Service Tax registration No., PAN number of the firm

Sealed quotation should be submitted only through registered post/speed post through Indian Postal Service.

Taxes, duties and other charges if any shall be quoted separately.

The work should be completed within 45 days from the date of issue of the work order.

Head, Radiation and Photochemistry Division, reserves the right to accept/reject any or all quotation without assigning any reason.

TERMS AND CONDITIONS:

The acceptance of tender shall rest with department which does not bind itself to accept the lowest tender and reserves to itself the authority to reject any or all of the tenders received, without assigning any reason. All tenders in which any of the prescribed conditions are not fulfilled or incomplete in any respect are liable to be rejected.

Canvassing in connection with tenders is strictly prohibited and the tenders submitted by the contractors who resort to canvassing will be liable for rejection.

The Successful bidder whose tender is accepted will be required to obtain Police Verification Certificate (PVC) issued by Special Branch of Police at his own cost for all his workmen i.e. Supervisors and Labours. **This is necessary to work inside BARC and the bidder should quote accordingly.** The PVC will be valid for one year.



(P. D. Naik)

Head, RPCD, BARC

अध्यक्ष, विकिरण एवं फोटोरसायनिकी प्रभाग
Head, Radiation & Photochemistry Division

भा.प.क. बिल्डिंग, ट्रम्बे, मुंबई - ४०० ०८५.

A. P. C., Trombay Mumbai - 400 085.

Technical specifications for supply, installation and commissioning of laboratory work benches & wall mounted cabinets:

1. Laboratory work benches with underbench cabinet modules

Req. Quantity – 1 set.

Classic lab furniture architecture with Pedestal Type systems. Uses underbench modules that are supported by metal legs.

Wall mounted electrical panel with at least 10 universal switch socket with individual switch (piano type).

Table Dimensions (see drawings):

A) Depth - 600 mm, Height - 900 mm, Length - 1870 mm (one unit)

B) Depth - 500 mm, Height - 900 mm, Length - 1260 mm (one unit)

Cabinet modules of 1 Drawer & 2 Shutters style; Length of 600 mm, Module Depths of 570 mm & 420 mm as per drawing.

2. Wall Mounted Overhead File Cabinets

Req. Quantity - 9 nos.

Float Glass Door; GI Structure; 2 Shutter with 1 adjustable height shelf

Dimension: 750 mm (L) x 370 mm (D) x 750 mm (H)

3. Wash basin bench

Req. Quantity - 1 no.

A- Series 2 Shutters Sink Unit - 600 mm (L), depth 600 mm and height 900mm

One Way Water Tap - Gooseneck Type Item (Indian)

Acrylic Splash Guard: 600mmL X 600mm H

PP SQUARE SINK 13.5"LX13.5"WX10"D

The wash basin inlet and outlets to be connected with the existing lines respectively

4. Frame Tables

Req. Quantity - 1 set.

A) Frame Table (one unit):- 1150 mm (L) X 825 mm (D) X 1000 mm (H, Total); the underneath height should be at least 900 mm. Suitable to carry weight of 100 -120 kg and the front side should be accessible to freely insert items of dimension 950(W) x725(D)x810(H)

B) Frame Table with one shelf (one unit): - 580mm L X 600mm D X 900mm H (Total).

C) Frame Table (one unit):- 700mm L X 680mm D X 300mm H (Total).

General technical specifications for the above items:

See the drawings for dimension and architecture of the items.

Work Top:-Made of (17 to 19mm) thick Jet Black Granite Top with chamfer moulding at the front & groove at the bottom to avoid chemical spillage on the modules. Worktop should be fixed with the module by foam tape; all joints are sealed through Epoxy sealant.

Material of Construction:-Completely made of 1 mm GI sheets.

Module:-Completely made of 1 mm GI sheets as per IS 277 standard. The sound deadening plastic bumpers to be used while closing the shutter. The entire module is made up of GI panels and are bolted/riveted for achieving maximum strength with high corrosion resistance. The shutters or doors are mounted to the modules by hinges which are openable to 95 degree. Drawers are mounted with the ball bearing based telescopic slides which are sturdy & able to take load up to 30kg. Provision of lock and key is optional. All modules to have lock and dual key arrangements. The lock ring should be plastic & not metal.

Module Bottom Frame:-Made of E.R.W.M.S. square Tubes 30x30mm x 1.2mm thick & angles 25x25mm x 1.2mm thick welded & finished with epoxy powder coating. Level adjustment bolt will be fitted in all legs which have nylon coated head.

Powder Coating:-Complete module & frame work are processed with multitank pre- treatment and finished with highly corrosion resistant 'Kansai Nerolac/equivalent' epoxy powder coating With 70 - 80 microns thickness. Our Automatic coating plant and fully conveyerised Oven ensures that coating surface get appropriate temperature to bond with the surface. The paint surface was tested for quality and longevity out of which 1000 hours salt spray test is important factor.

Colour to be white & grey as per other workbenches existing in our lab.

Hardware fittings:

Hinges :- 'Hafele' Make CED coated self-closing.

Handle :- S.S. 304 matt finish

Screw :- All S.S. 304 Visible Screws.

Lock :- 'Hafele' Lock with plastic ring and a pair of keys.

Drawer Channel :- 'Haffle' make common sleeve telescopic drawer slides - 45 Kgs

Utility Taps:- Epoxy powder coated brass taps with DIN 12920 colour coding

Installation:

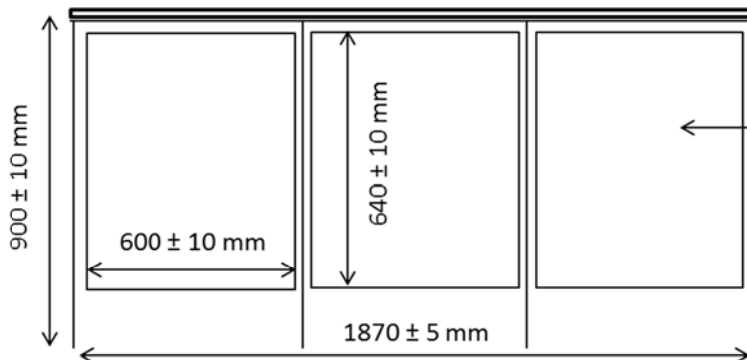
The supplier has to install and commission the work bench, wash basin and wall cabinets at user site.

Terms and Conditions:

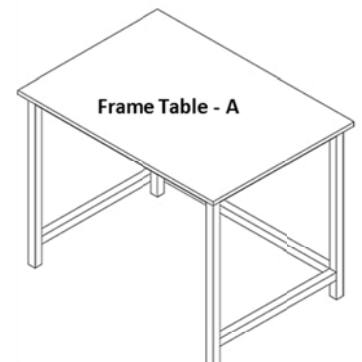
1. Please fill the specifications of the quoted products in offered specification. If any deviation is there, then provide details of any deviation/better specification in the offered specifications. Attach detailed product specification and certification documents of the items quoted. Failing may lead to rejection of quotation.
2. Specification of the product offered should be verifiable from the manufacturer website.

Drawings:

Front view of Laboratory work bench A:
 Depth - 600 mm, Height - 900 mm, Length - 1870 mm

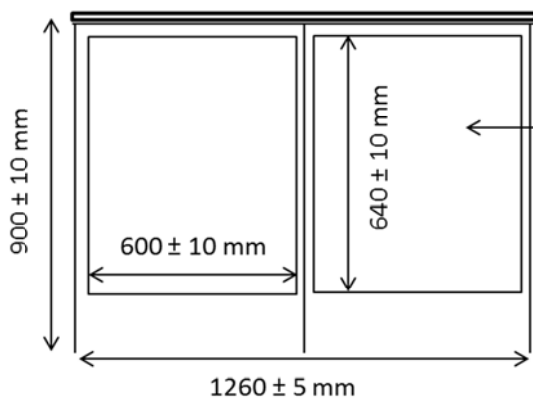


3 Under-bench cabinets, 1 Drawer & 2 Shutters with adjustable self height; depth of 570 mm (D) x 640 mm(H) x 600 mm (L)

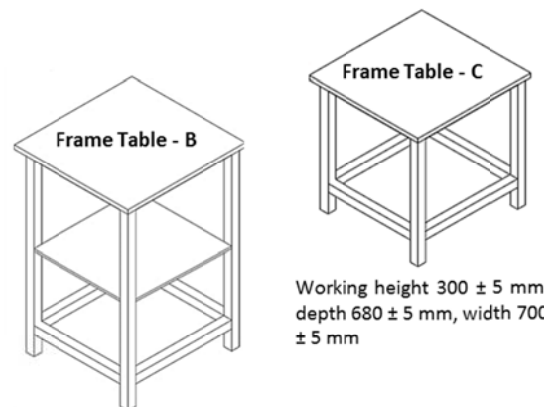


Working height 1000 ± 5 mm, length 1150 ± 5 mm, depth 825 ± 5 mm; granite top; suitable to carry weight of 100 -120 kg and the front side should be accessible to freely insert freezer of dimension 950(W) x725(D)x810(H)

Front view of Laboratory work bench B:
 Depth - 500 mm, Height - 900 mm, Length - 1260 mm



2 Under-bench cabinets, 1 Drawer & 2 Shutters with adjustable self height; depth of 420 mm (D) x 640 mm(H) x 600 mm (L)



Working height 900 ± 5 mm, depth 600 ± 5 mm, width 575 ± 5 mm; Shelf height ~400 mm

Working height 300 ± 5 mm, depth 680 ± 5 mm, width 700 ± 5 mm