

**Government of India
Bhabha Atomic Research Centre
Mumbai – 400 085**

ATOMIC FUELS DIVISION

Ref. AFD / FAS / 2019 / 159144

Aug²¹, 2019

Sub: Fabrication, packing and supply of Aluminium components as per attached drawing and Specification


Dear Sir/ Madam,


For & on behalf of The President of India your sealed offer on printed letter head of your company is invited for " Fabrication, packing and supply of Aluminium components as per drawing", using Aluminium 5052 grade free issue material. The scope of work, technical requirements and general terms & conditions are attached herewith as specifications.

Your offer in sealed envelope bearing above reference no. & due date 16-09-2019, should be sent to following address, so as to reach in on or before 16-09-2019, by registered/speed post only.

R K Srivastava
SA/F
Atomic Fuels Division
Bhabha Atomic Research Centre
Trombay, Mumbai - 400 085.

Courier or Hand delivery of quotation is not acceptable.


(R K Srivastava)
SA/F, FAS, AFD


(Amit Sharma)
SO/F, FAS, AFD

For & on behalf of President of India

- Encl:** 1 Specifications.
2. Drawing of component.
3. Format of Insurance policy

Specifications

1. Scope of work:
 - 1.1 Fabrication, packing and supply of Aluminium components as per drawing using Aluminium 5052 grade free issue material, supplied by purchaser.
 - 1.2 **Quantity:** 600 nos.
 - 1.3 **FIM Details:**
 - Material = Aluminium Pipe 5052 grade
 - Dimension = \varnothing 80 mm OD x 12 mm wall thickness x 1200 mm (L)
 - Quantity : 600 Kg (approx)
 - Cost = Rs 1,80,000/-, for insurance purpose.
 - 1.4 Scrap expected to be generated = 435 kg (approx)
 - 1.5 **AFD, BARC will not accept the scrap back. Hence the vendor is required to quote lump sum price of 435 Kg of Aluminum 5052 grade scrap. The final order value will be arrived after deducting the cost of scrap from the cost of fabrication of finished components.**
 - 1.6 Total work completion time duration: Eight weeks from the date of free issue material.
 - 1.7 Vendor should submit insurance policy, in the format as attached, for lifting the free issue material within two weeks of work order date.
 - 1.8 Material will be issued only after acceptance of insurance policy at our end.
 - 1.9 **Inspection Report:** Each finished component shall be laser marked. Dimensional Inspection of each finished component shall be done as per drawing and inspection report indicating the observed values shall be supplied with components. Simply writing ok will not be accepted. Deviation observed if any shall be clearly indicated.
 - 1.10 **Packaging:** Each finished component shall be packed in bubble packing individually with identification number as per inspection report. The components thus packed shall be placed in a suitable card board/wooden box with adequate packing in it. A box shall not contain more than 50 components.
 - 1.11 **ISO Certificate:** Vendor should also have valid ISO 9001. Vendor should submit the copy of ISO certificate along with the quotation. Quotation without valid ISO certificate will be out rightly rejected.
 - 1.12 **Sample before starting bulk production:** After placing the work order, the vendor will be required to submit 10 sample pieces using supplier's FIM. The bulk production shall be started only after clearance from us.
 - 1.13 "Free Issue Material" (FIM) shall not be used for initial machining trials and settings. Vendor shall arrange his own material for this purpose.
 - 1.14 The material should be stored properly to avoid mix up with other materials.

1.15 Up to (-)5% variation in the quantity of the finished components will be accepted. Payment will be made only for accepted components. The amount for the rejected pieces will be deducted as per the rates quoted by you for finished components. The rejected pieces will not be returned back to you.

1.16 If the rejection of finished components is more than 5%, it will be considered as wastage of our free issue material and the cost of material will be recovered @ Rs 300/piece, quantity less supplied beyond considering the rejection of (-5%). This will be recovered from your bill. This will be in addition to the clause mentioned at sr. no. 1.15.

2. Terms & Conditions:

2.1 The items shall be suitably packed to prevent any damage during transportation and delivered to the purchaser's site, only after consent of the purchaser for the delivery of the finished components is received.

2.2 Prior to dispatch and delivery of finished components, the components shall be cleaned so that no dirt, grease or any other stains are present on the surface before final packing.

2.3 All work pertaining to fabrication and inspection shall be performed by the vendor and no help or assistance of any sort shall be extended from purchaser's side.

2.4 Vendor shall arrange for collecting the free issue material from BARC, Trombay, Mumbai and delivery of finished goods to BARC, Trombay, Mumbai.

2.5 For any clarification regarding the specifications and to assess the scope of work involved, you may contact Shri R K Srivastava (Tel. 022 2559 4968, email: rohitks@barc.gov.in) during office hours (10. am to 6.0 pm, Monday to Friday, except holidays).

2.6 Quotations shall clearly mention the rate for fabrication of 1 no. of component. Consolidated offers giving total cost shall be summarily rejected.

2.7 Taxes, if any, shall be specified separately apart from the base cost. **GST will be paid @5% against the GST exemption certificate, provided by purchaser.**

2.8 Validity of offer (min 90 days) and work completion period shall be clearly mentioned in the offer letter.

2.9 Income tax @ 2% of amount of bill and surcharge on IT as applicable shall be deducted at source. Education cess @ 3 % on IT & surcharge will also be deducted from the supplier's bill.

2.10 Quotations are to be in printed letter head / quotation format which should consist of registered GST Number, PAN of the firm etc.

2.11 Quotations that are received by email, fax, any other computer generated form without signature, handwritten etc shall be considered as invalid & rejected.

2.12 Payment will be arranged after satisfactory completion of work and on production of bills in triplicate, delivery challan in duplicate, advanced stamped receipt. Advance, Part Payment or against delivery cannot be made.

2.13 Vendor may fill up form of option for payment through ECS/RTGS with pre-stamped receipt at the time of payment.

2.14 Any delay which is attributed to the supplier is liable for penalty @ ½ % per week (Max 5%) to be imposed on supplier.

2.15 Insurance for Free Issue Material (FIM)

Vendor shall submit Insurance policy as per the attached format, with ref. W.O. no. and date for FIM details as mentioned below, before collection of FIM from BARC.

Material = Aluminium Pipe 5052 grade

Dimension = Ø 80 mm OD x 12 mm wall thickness x 1200 mm (L)

Quantity : 600 Kg (approx)

Cost = Rs 1,80,000/-, for insurance purpose.

3. Confidentiality Clause:-

I. Confidentiality:-

No party shall disclose any information to any third party concerning the matters under this contract generally. In particular, any information identified as "Proprietary" in nature by the disclosing party shall be kept strictly confidentially by the receiving party and shall not be disclosed to any third party without the prior written consent of the original disclosing party.

This clause shall apply to the sub-contractors, consultants, advisers or the employees engaged by a party with equal force.

II. "Restricted information" categories under Section 18 of the Atomic Energy Act 1962 and "Official Secrets" under Section 5 of the Official Secrets Act 1923. :-

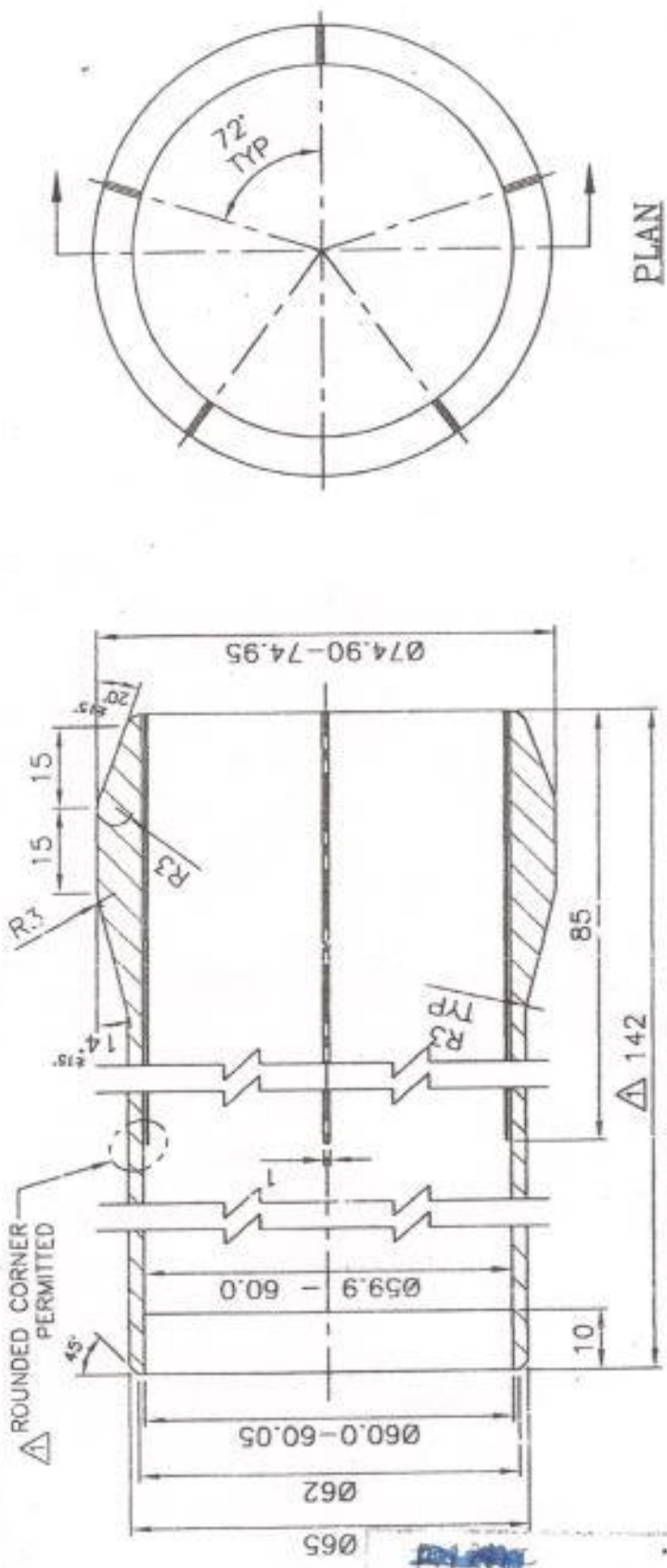
Any contravention of the above-mentioned provisions by any contractor, sub-contractor, consultant adviser or the employees of a contractor will invite penal consequences under the aforesaid legislation.

III. Prohibition against use of BARC's name without permission for publicity purposes.

The contractor or sub-contractor, consultant, adviser or the employees engaged by the contractor shall not use BARC's name for any publicity purpose through any public media like Press, T.V. or Internet without the prior written approval of BARC.


(R K Srivastava)
SA/F, AFD


(Amit Sharma)
SO/F, FAS, AFD
For & on behalf of President of India



SECTIONAL VIEW

PLAN

- NOTES:**
1. GENERAL TOLERANCES WHERE NOT SPECIFIED ARE ± 0.2 mm ON LENGTH AND ± 0.1 mm ON DIAMETER.
 2. REMOVE BURRS AND ROUND OFF THE SHARP CORNERS TO SUITABLE RADIUS.
 3. SURFACE FINISH 1.6 MICROMETER OR BETTER.
 4. ALL DIMENSIONS ARE IN mm.

Insurance Policy Format

a.) **Insured By:** M/s

b.) **Beneficiary:** The President of India, Acting Through the Head, Atomic Fuels Division, Bhabha Atomic Research Centre, Department Of Atomic Energy, Trombay, Mumbai-400085

c.) **Risk to be covered:** Any loss or damage to the purchasers material, due to Fire, theft, riot, burglary, strike, civil commotion, ect and any damage arising out of other causes such as other material falling on purchasers material.

d.) **Amount for which insurance policy to be furnished:** Rs 1,80,000/-

e.) **Work order no:**

The insurance policy covering the above risks shall be forwarded to this office immediately to enable the purchaser to arrange for the Free issue material. The insurance policy shall be valid till the delivery of all the items and final settlement of free issue material account. The transporter shall indemnify the purchaser and keep the purchaser indemnified to the extent of the value of free issue, to be issued, till such time the entire contract is executed and proper account of free issue material is rendered.

The contractor shall be responsible for the safety of the material after these are received by him, all through the period during which the material remain in his possession. The free issue material on receipt at the contractor's work & shall be inspected by the contractor representative for ensuring the safe and correct receipt of the material, discrepancy if any found shall be reported to undersigned within 24 hours of receiving the material by the contractor. The contractor shall take all necessary precautions against any loss deterioration or destruction of the free issue material from whatever cause arising whilst the said material remains in his possession/custody or control. The free issue material shall be inspected periodically at regular intervals by the contractor for ensuring safe preservation and storage. The contractor shall also not mix the material in question with any of his goods and render true and proper account of the material actually used.

The decision of the Head Atomic Fuels Division, Bhabha Atomic Research Centre, Department of Atomic Energy, Trombay Mumbai-400085, as to whether the contractor has caused any loss, Destruction or deterioration of the free issue material while in his possession,

custody or control from whatsoever cause arising as also the quantum of damage suffered by the Government shall be final and binding upon the contractor.
