



R. K. Rajawat  
Head, APPD, BARC  
rkraj@barc.gov.in



Government of India  
Bhabha Atomic Research Centre  
Accelerator and Pulse Power Division

Engg. Hall No.4, Trombay,  
Mumbai-400085

Ref.: BARC/APPD/VKS/2018/75

Date: 10/07/2018

Subject: Inviting quotations for fabrication of items as per details given.

You are requested to quote for the fabrication of following items. Drawing of these items are given in annexure I.

S.no.	Item's description	Quantity
1.	HV bin	2
2.	HV bin's top	2
3.	HV feed through	10
4.	Delrin support I	15
5.	Delrin support II	15
6.	SMPS's Aluminum casing	3
7.	M4 Allen bolts with nuts	20
8.	M6 Allen bolts with nuts	20
9.	Current feed through	10

1) For any clarifications the supplier can contact Sh. Vishnu Kumar Sharma, SO/E, APPD on any working day (Monday to Friday) on telephone Nos. 25592644 or email: [vishnu@barc.gov.in](mailto:vishnu@barc.gov.in).

2) Payment for the above work will be made after satisfactory completion of job and on production of bill & advanced stamped receipt along with the copy of registration. No advance payment will be made for this work. Income-tax @2% & surcharge on Income-tax @15% will be deducted from the bill and a TDS (tax deducted at source) certificate will be issued as per Income-tax rules. Suppliers should submit their offers along with the following information.

(a) period of validity, terms & conditions of the offer, (b) Approximate period of completion of the task and (c) copy of the registration and income-tax clearance certificate.

Additional Information:

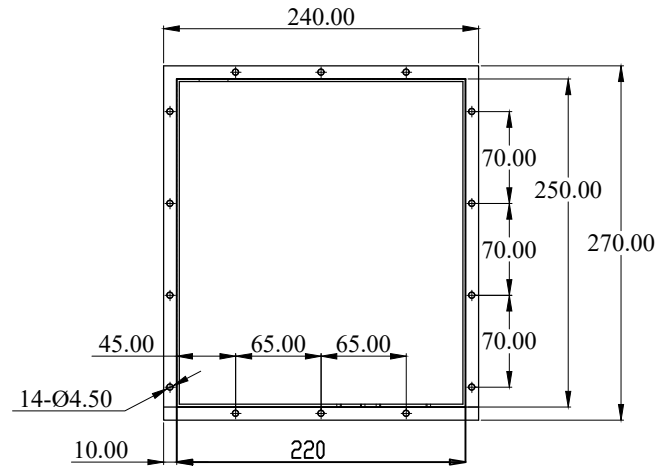
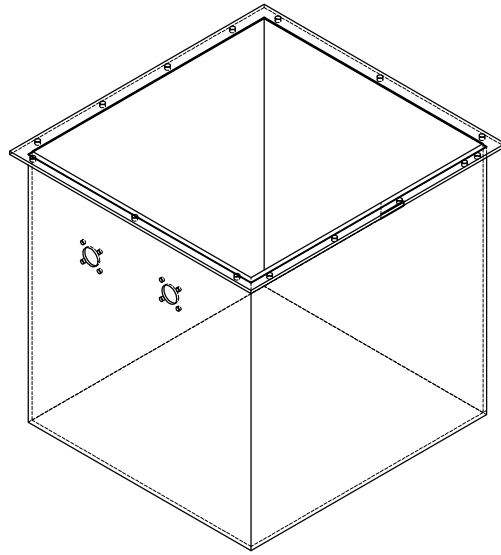
Your sealed quotation (in your letter head) including all details, like taxes to be paid, transport charges etc., duly indicating our reference number mentioned above, due date & time of opening of quotations on the envelop, may be sent to "**Head, APPD, Engg. Hall No.4, Trombay, MUMBAI-400085**", on or before, **20<sup>th</sup> July 2017**. It is requested that the tender must be sent by Speed-post. The quotations received after the due date & by FAX/email will not be considered.

Yours faithfully,

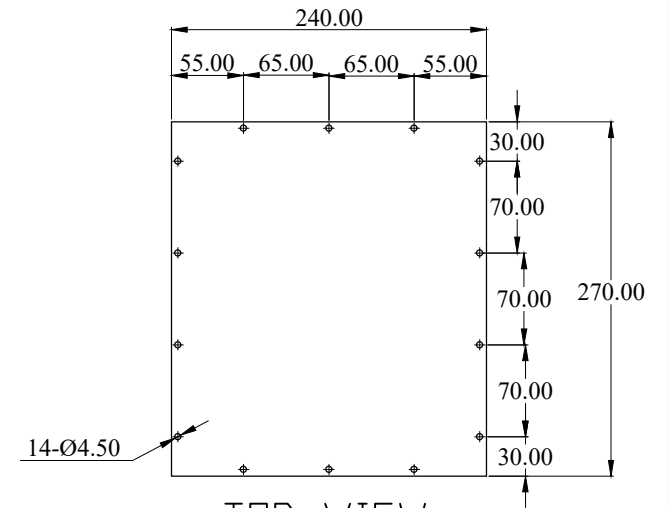
R. K. Rajawat  
Head, APPD, BARC

Copy to: A.P.O., GSS Section, Central Complex, BARC.

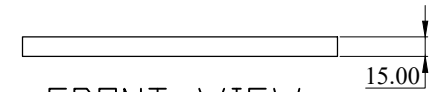
# Annexure I



TOP VIEW

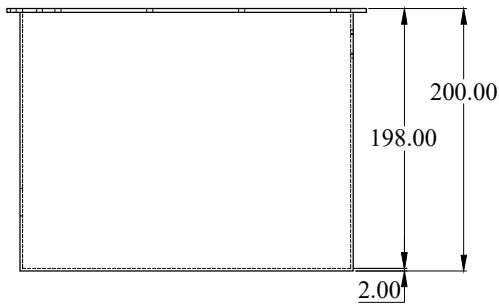
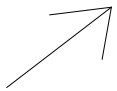


TOP VIEW

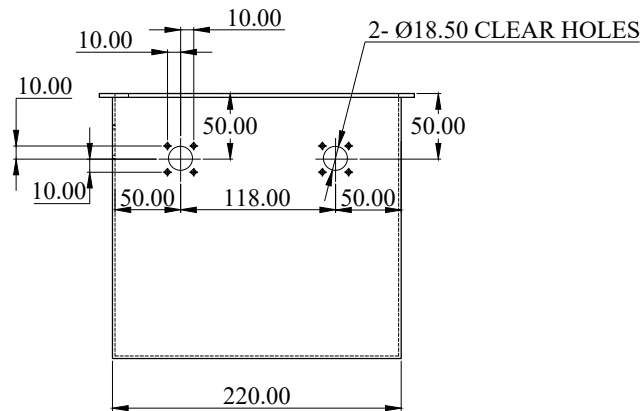


FRONT VIEW  
MATL:-PERSPEX  
QTY:-1 NO

PART NO :-1



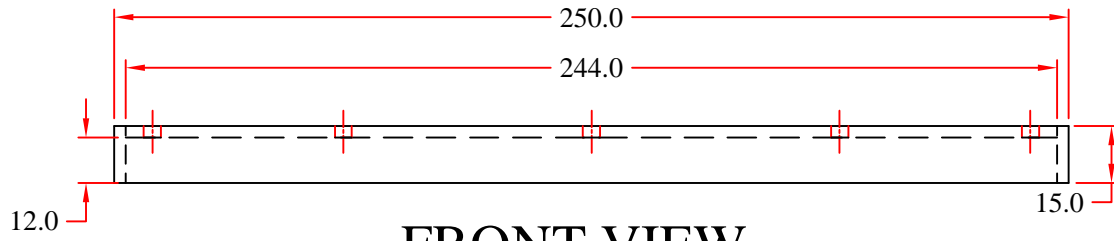
L.H.S.VIEW



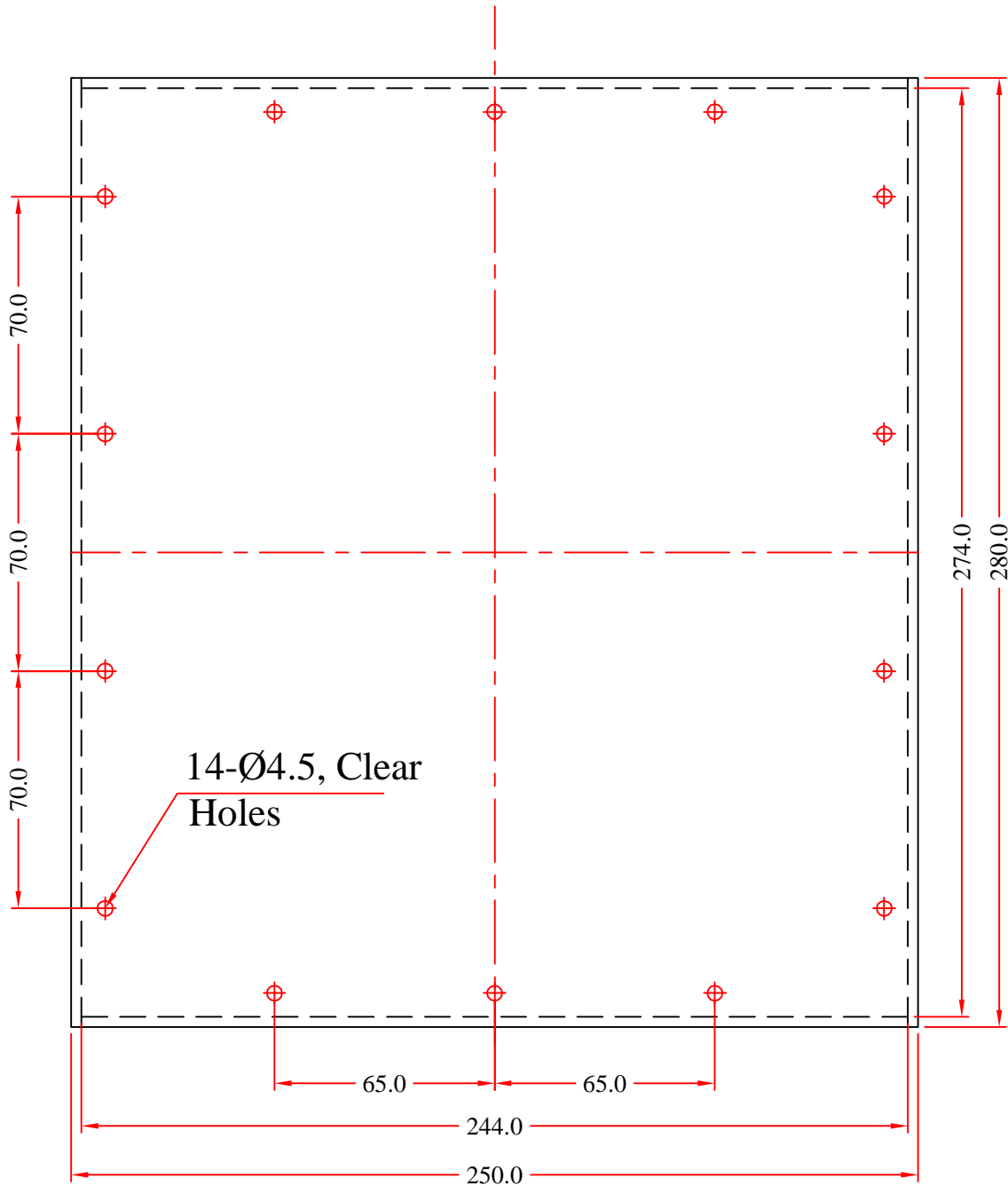
FRONT VIEW  
MATL:-M.S  
QTY:-1 NO

PART NO :-2

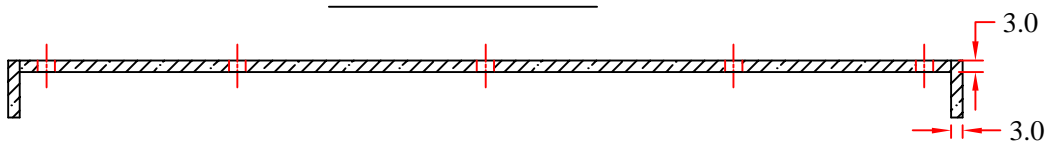
## HV Bin



FRONT VIEW



TOP VIEW

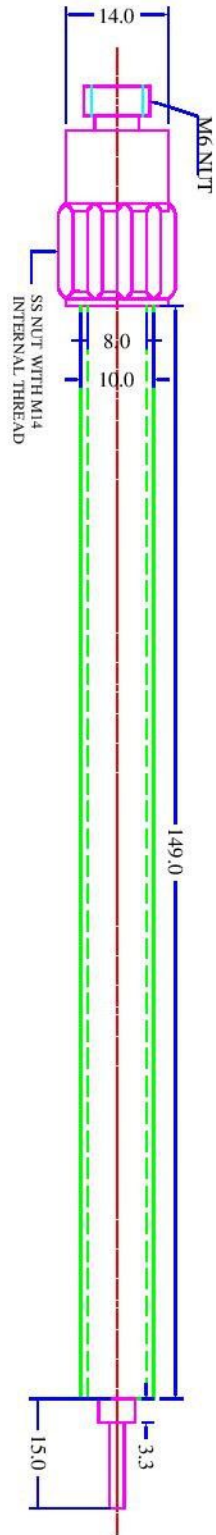


CUT SECTION VIEW

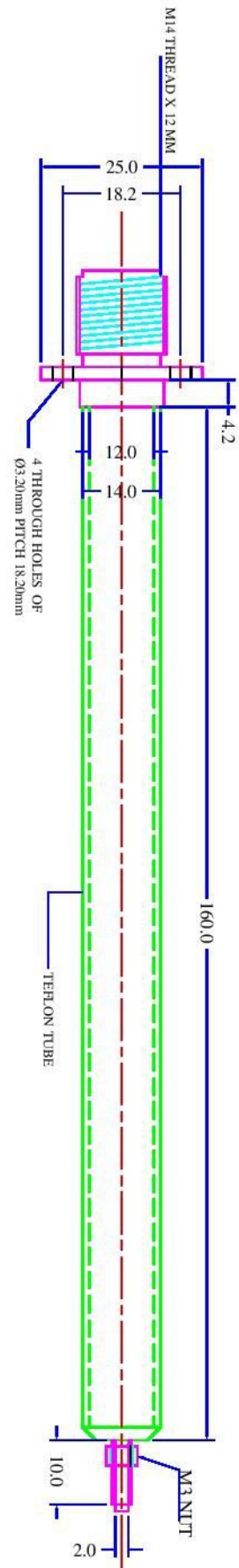
MAT :ALUMINIUM

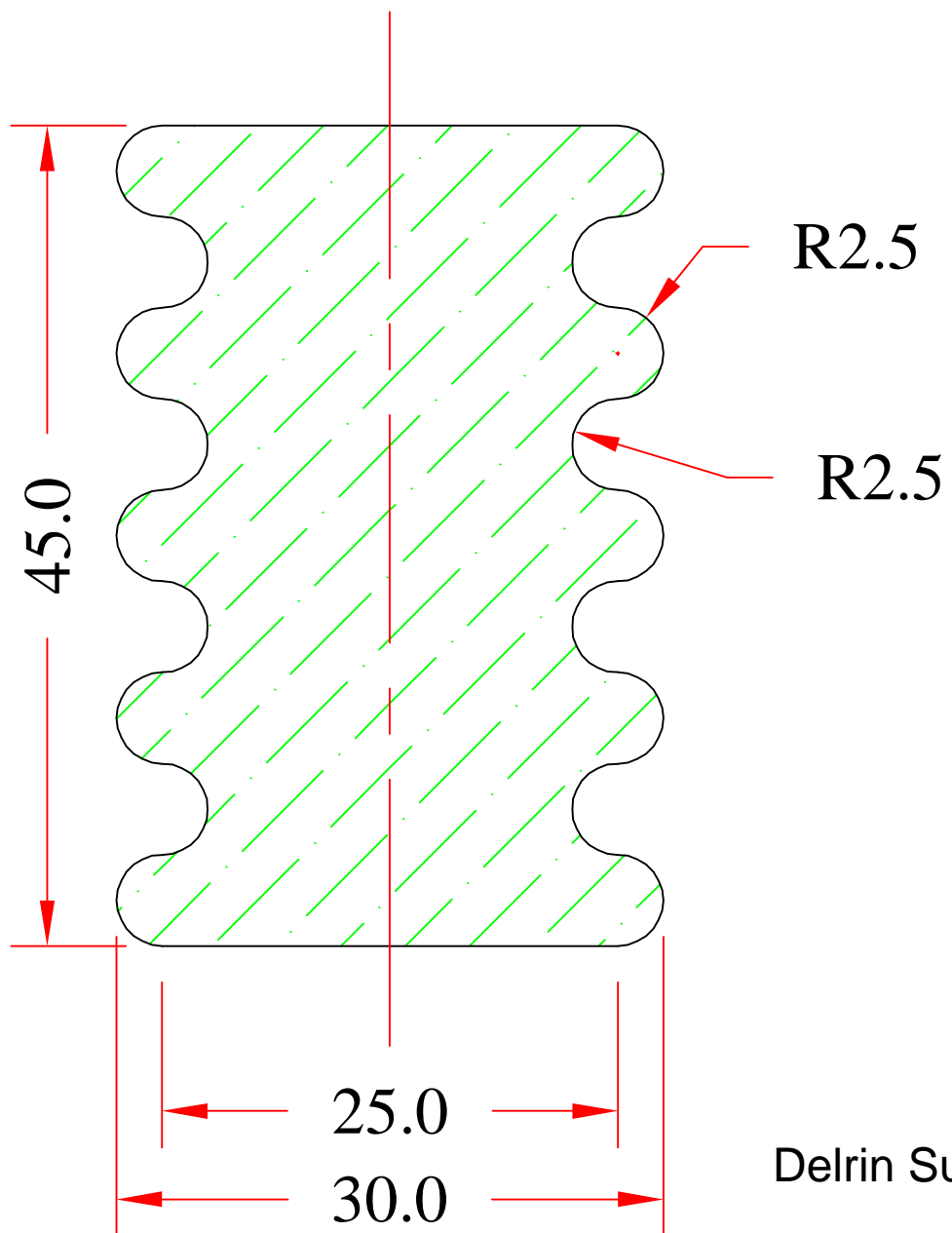
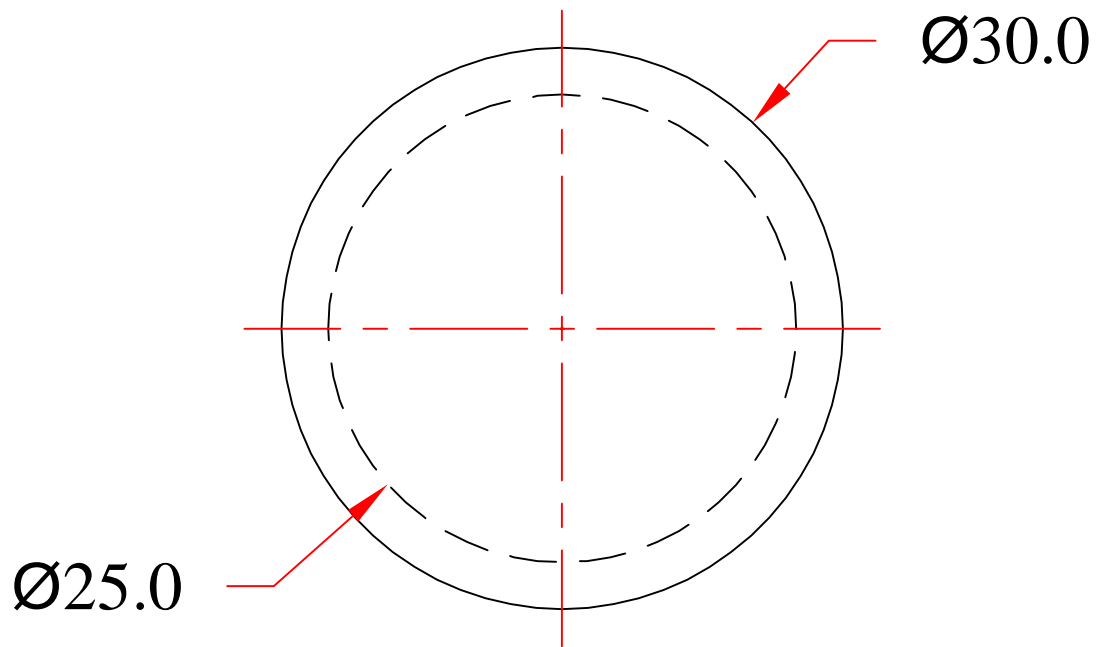
HV Bin's cover

# 50KV Feed Through



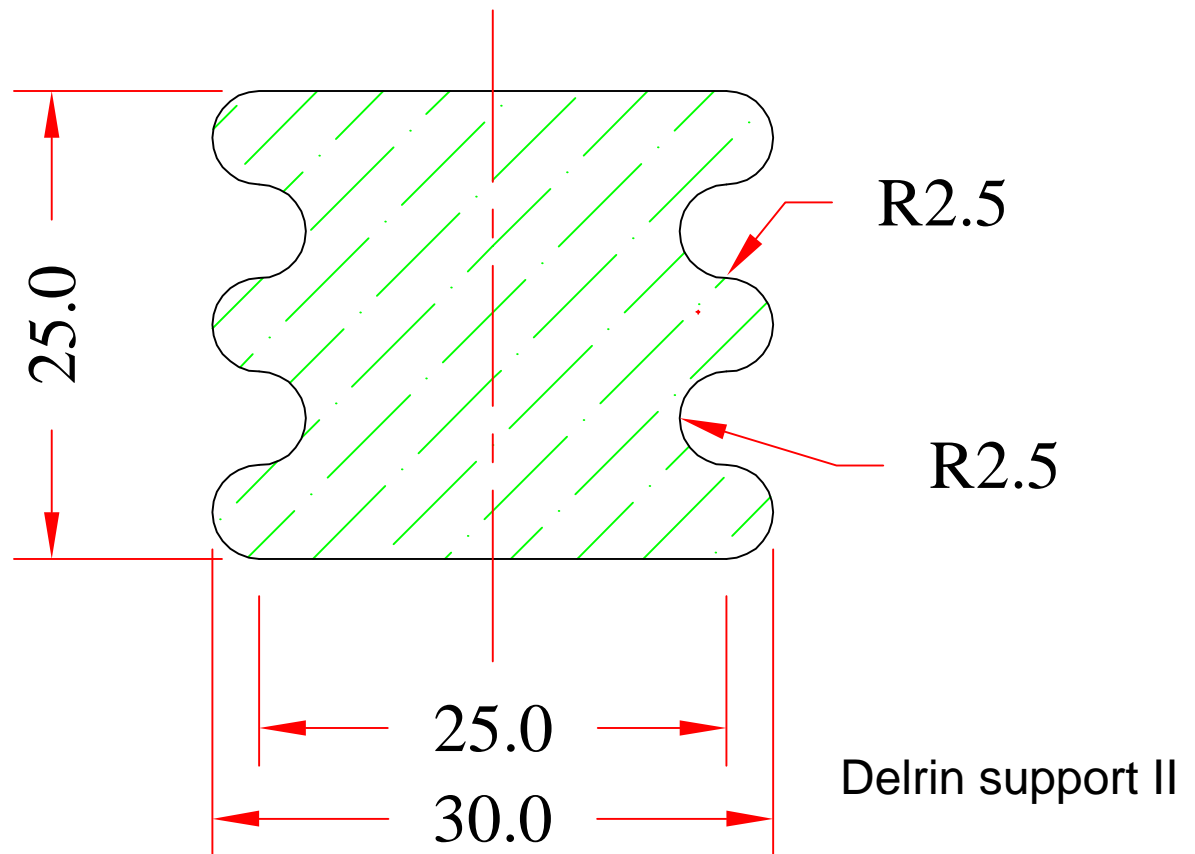
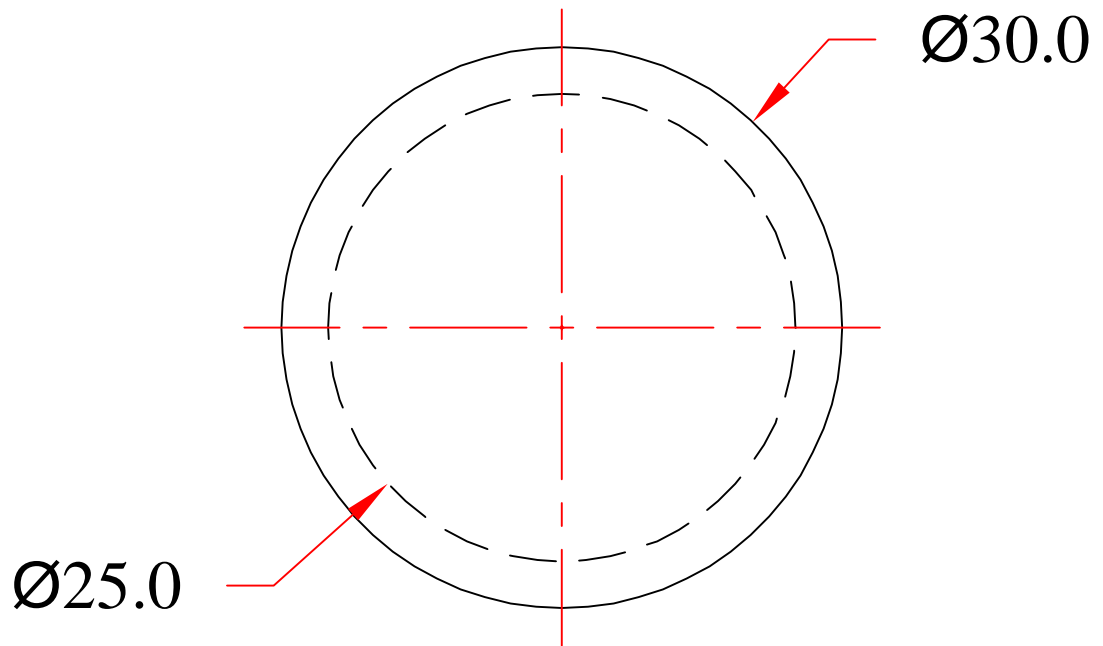
# HV feed through



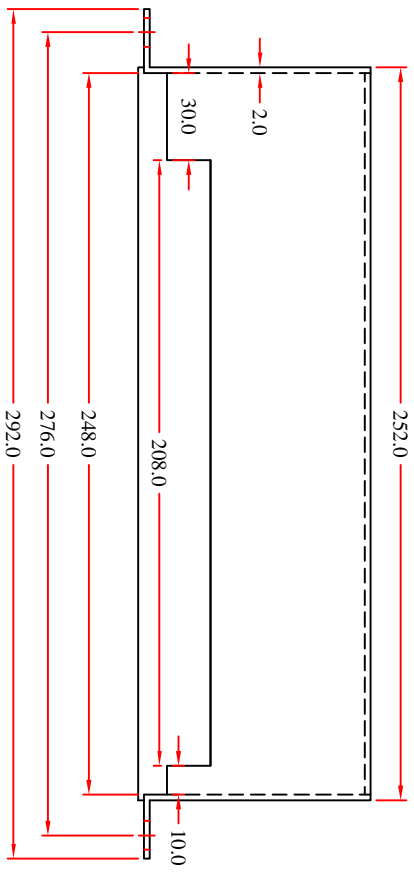


Delrin Support I

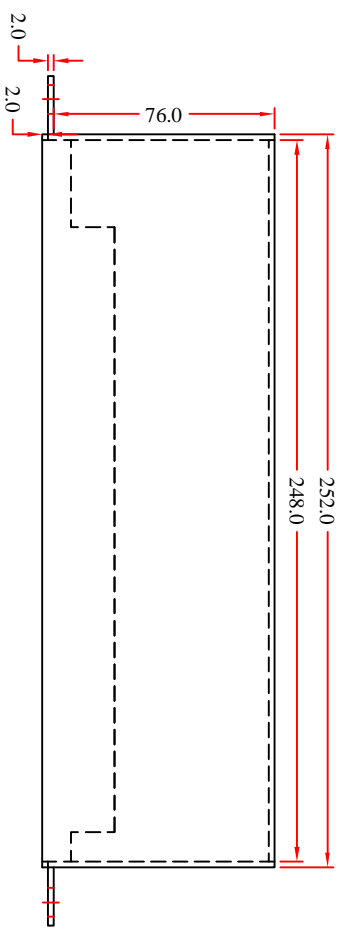
**MATERIAL DELRIN**



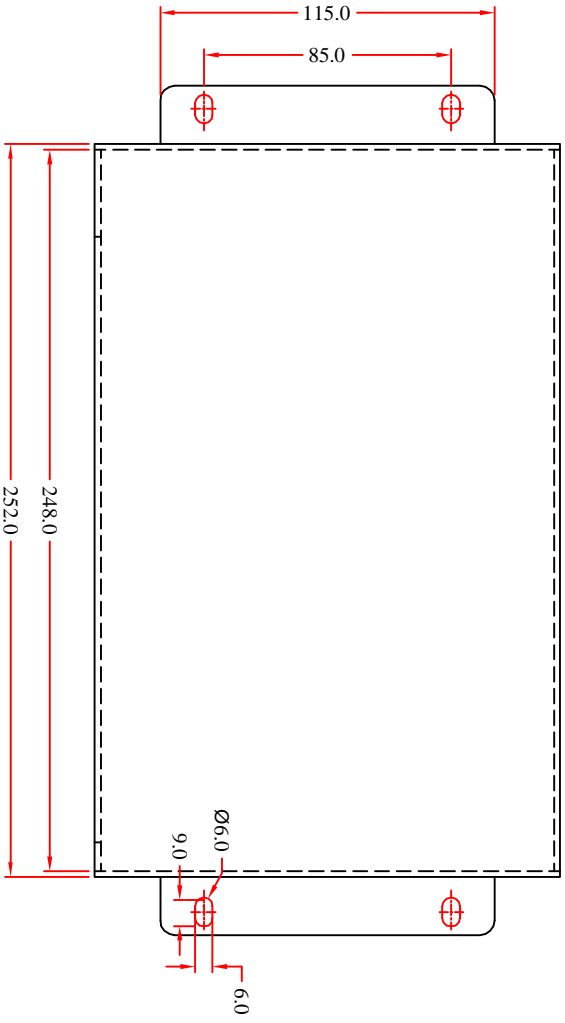
**MATERIAL DELRIN**



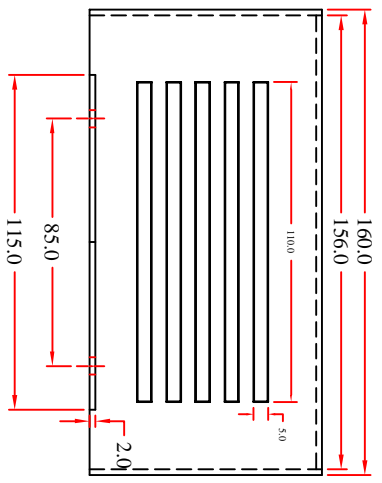
FRONT VIEW



BACK VIEW



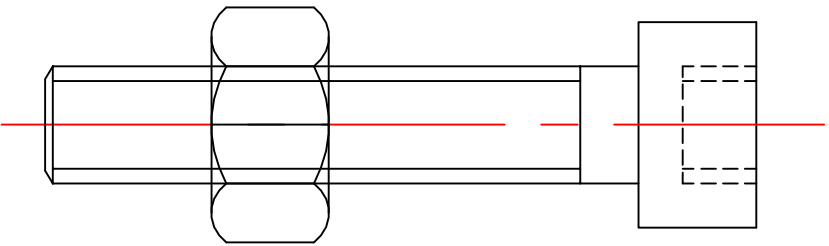
TOP VIEW



SIDE VIEW

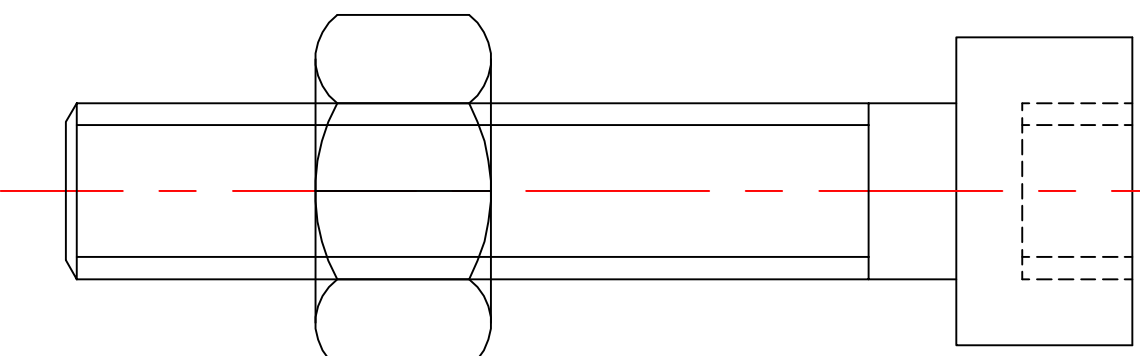
SMPS's casing

MAT : ALUMINIUM



**M4 ALLEN BOLT**  
**WITH NUT Lgt 20mm**

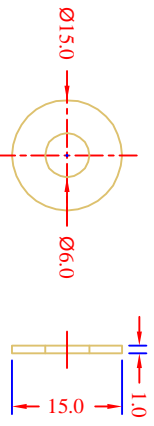
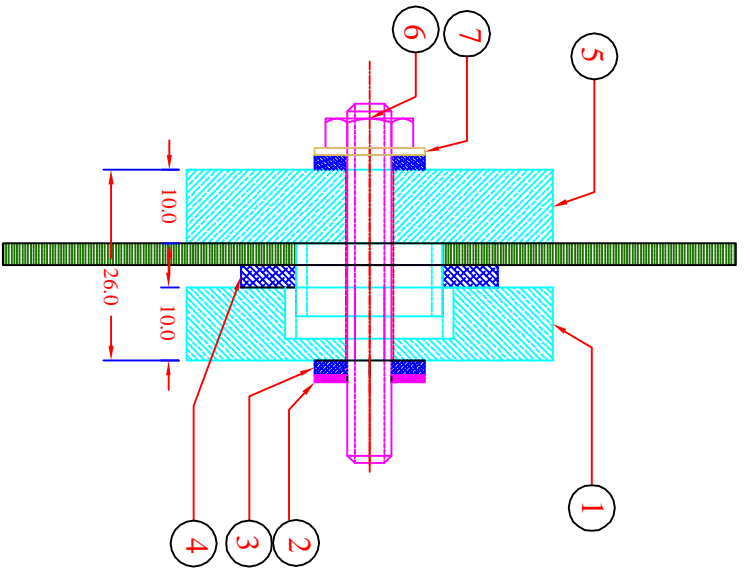
**QTY 20**



**M6 ALLEN BOLT**  
**WITH NUT Lgt 35mm**

**QTY 20**





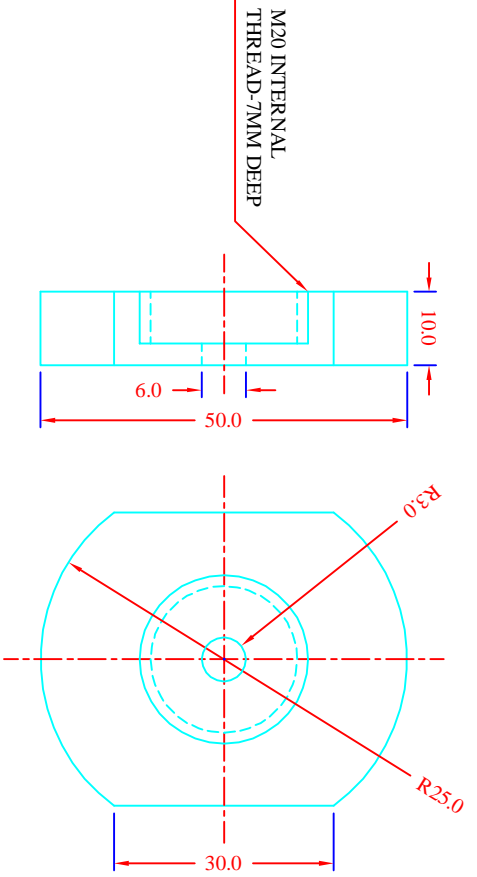
SSS304 WASHER

PART NO 6



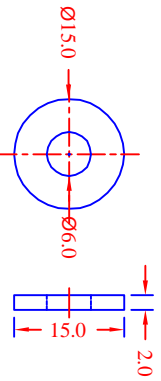
M6 NUT-SS304L

PART NO 7



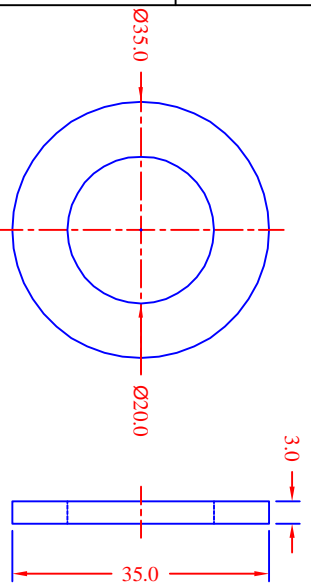
TEFLON FLAT NUT WITH M20 INTERNAL THREAD

PART NO 1



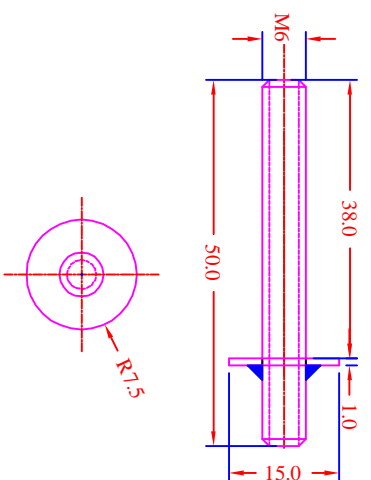
NEOPRENE GASKET  
QTY - 2 NOS

PART NO 3



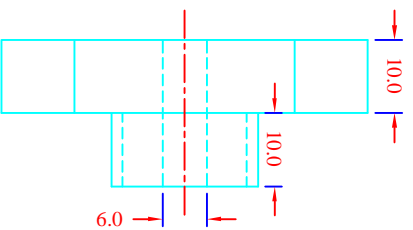
NEOPRENE GASKET  
QTY - 2 NOS

PART NO 4



M6 STUD WITH WELDED COLLAR

PART NO 2



TEFLON FLAT BOLT WITH M20 EXTERNAL THREAD

PART NO 5

