

Government of India
BHABHA ATOMIC RESEARCH CENTRE
Health Safety & Environmental Group
Radiation Safety Systems Division

Enquiries

Ref: RSSD/RMS&DS/AJ/AGSS/ 2017/

Date: July 26, 2017

Quotation is invited for the following fabrication job as per the specifications in Annexure -1.

Job description:

1. Fabrication of Aerial Gamma Spectrometry System Workstation.

Terms and conditions: Quotation should reach the undersigned at the given address on or before 25 August 2017 upto 14:00.

1. Quotation should be sent in a sealed envelope marked with “Quotation for Fabrication of Aerial Gamma Spectrometry System Workstation” to the under signed at the following address.

Mr. Amit Jain
Scientific Officer (F)
RMS&DS
Radiation Safety Systems Division
Mumbai – 400 085

2. Any offer can be rejected without assigning any reason
3. Quotation must be send only through Govt Post.
4. Cost should include material, labour and any other expenditure incurred for successful completion of this assignment.
5. Rate should be type written only and hand written rate shall not be considered.
6. Quotation should be kept valid for 45 days from 25 August 2017.

For any clarification the undersigned may please be contacted.

(Amit Jain)

Annexure: 1

Industrial Workstation:

With Built in 12.1" Display having Resolution 1024 X 768

Resistive Touch screen

Intel® Celeron® M Processor 2GB RAM

Two Serial Port

Four USB Ports (Two in front)

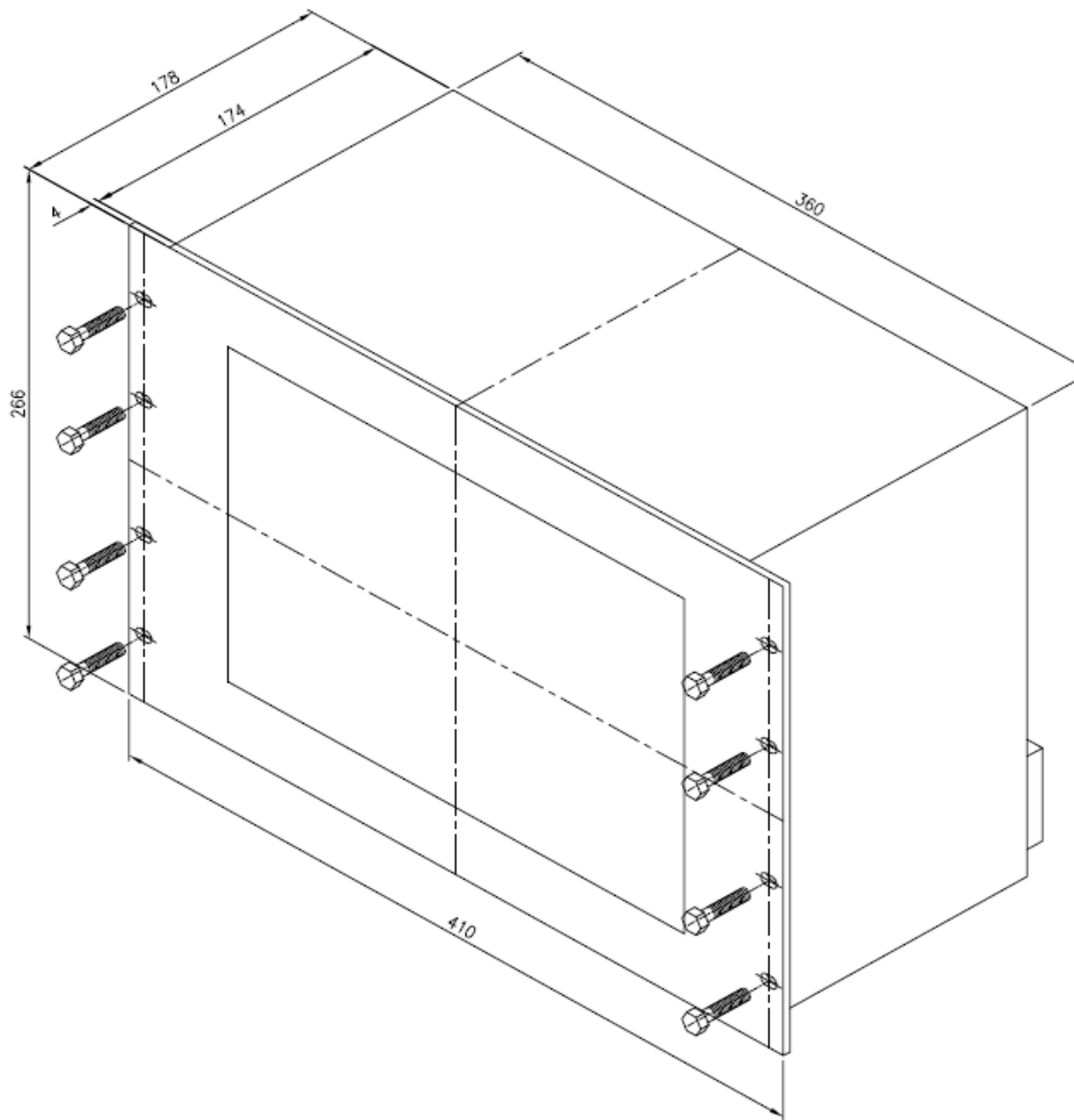
10/100 Mbps Ethernet Interface

PC-104 Expansion Bus (ISA bus compatible)

160GB 2.5" Hard disk

Operated on 28VDC, 3 Amp

External dimensions as per following drawing



ISOMETRIC VIEW