



सत्यमेव जयते

Government of India
Bhabha Atomic Research Center
Pulsed Power & Electromagnetics Division
Energetics System Development Section

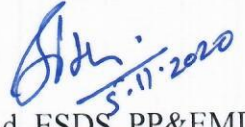
Reference: BARC(V)/PP&EMD/2020-21/R&D-44/MF/RR/17

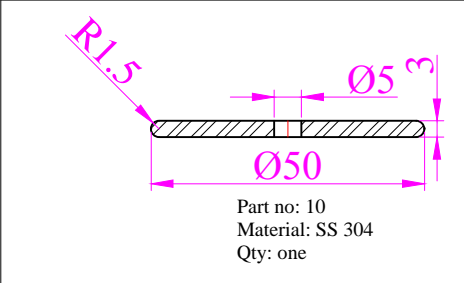
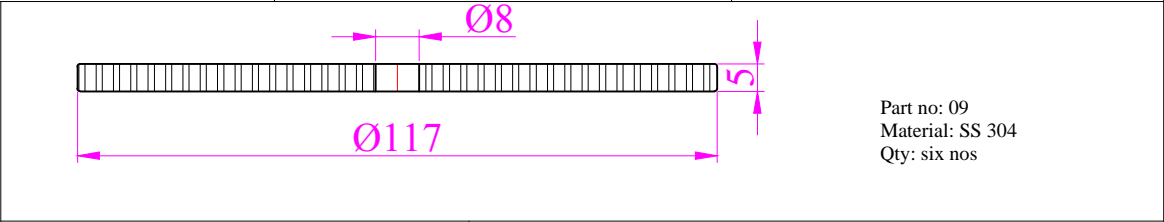
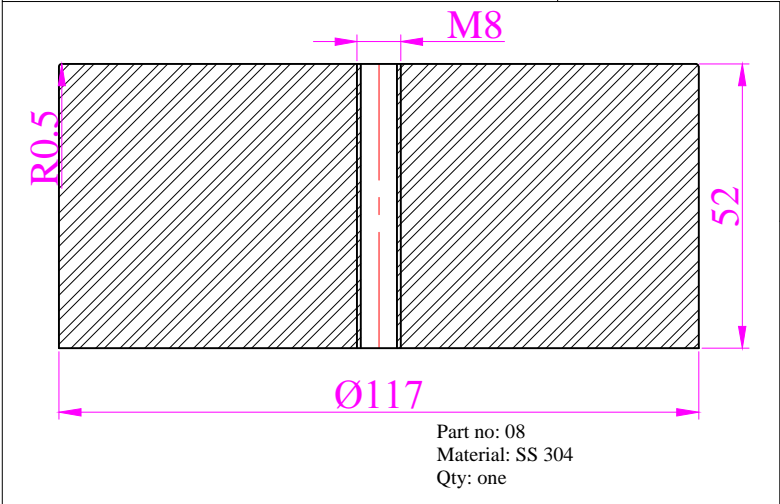
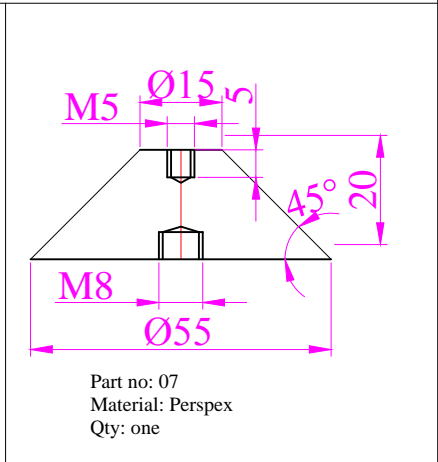
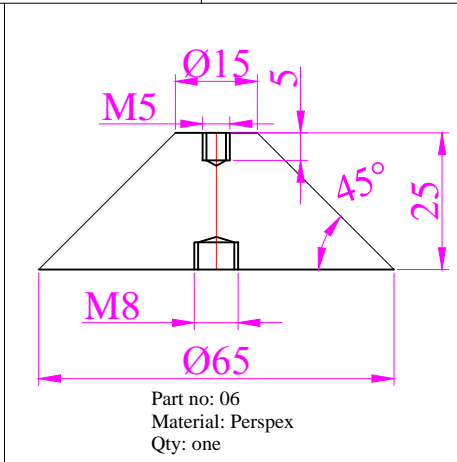
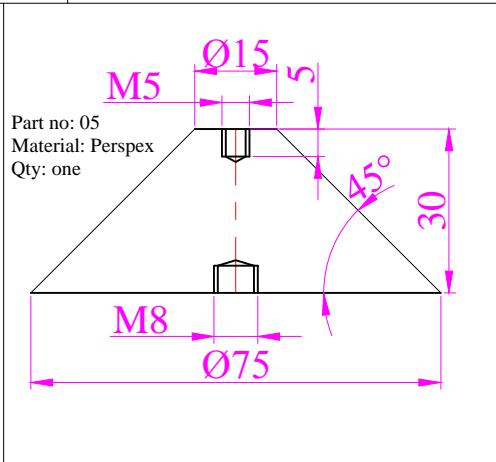
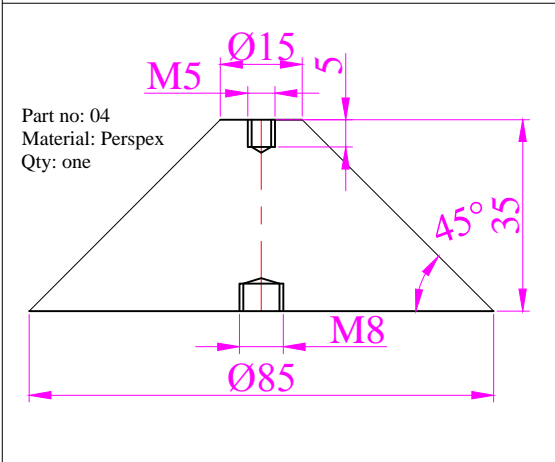
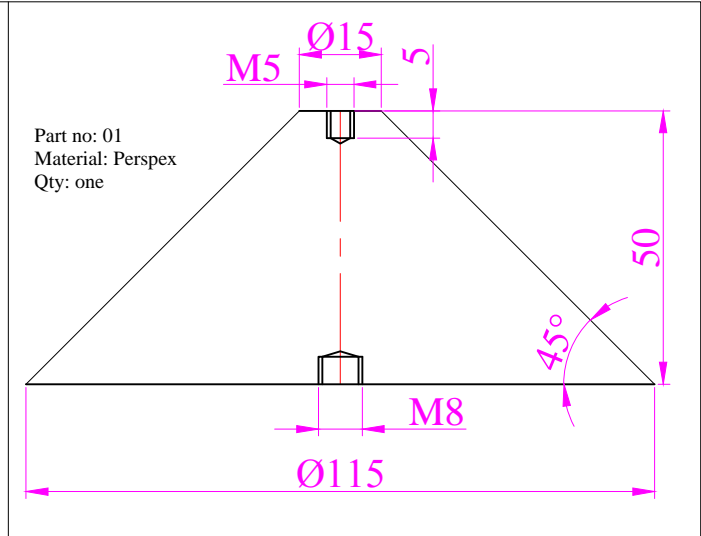
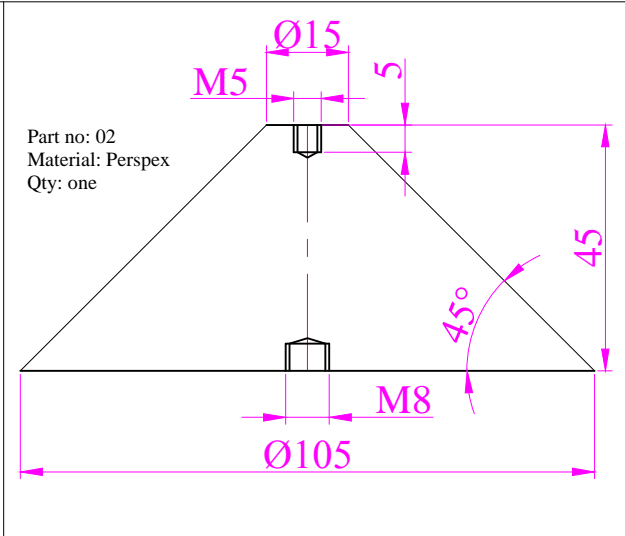
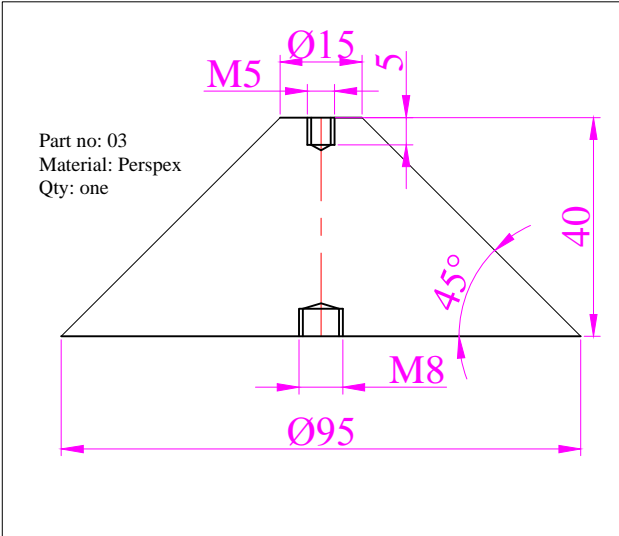
Date: 05/11/2020

Sub: Fabrication and supply of Field enhancement test components as per drawing

Dear Sir,

1. Quotations are invited for the minor fabrication job, as per the enclosed sketches
2. Bidder shall quotes for fabrication of these components with materials.
3. Taxes shall be quoted separately.
4. The quotation must reach the Head, ESDS, Pulsed Power & Electro-Magnetics Division by date 27/11/2020 and must be sent in a sealed, printed envelope superscripted with reference number and the due date given above.
5. The address of the envelop should read –
Head, ESDS, PEB-1,
Pulsed Power & Electromagnetics Division
Bhabha Atomic Research Centre Facility,
Gandivanipalem village, Dossuru panchayat,
Atchutapuram Mandal, Visakhapatnam – 531011(A.P.)
(Attention: Ramanand Raman)
6. The fabrication work shall be subjected to inspection by our Engineer. The finished component shall not be dispatched prior to approval of our engineer at bidders' premises. Necessary inspection facilities should be provided to our engineer during fabrication at bidders premises.
7. The bidder shall deliver the finished components after approval by our engineer within 3-4 weeks from the date of firm work order issued to the bidder. The finished components along with left over material shall be delivered by the bidder at the address mention in point no 5
8. Head, ESDS, PP&ED reserves the rights to accept/ reject any or all quotations without assigning any reasons.
9. Delivery charges if any, must be clearly mentioned with the offer.
10. Quotation must also indicate the validity of offer starting from the due date.
11. Drawing / sketches must be returned along with the offer.
12. Quotation is to be in printed letter-head / quotation format only. Quotation received in computer-generated forms will be considered as invalid and rejected.
13. Quotation should consists of Sales Tax registration number (Registered GST authority), PAN number of the firm, services tax registration number etc.
14. Claim preferred by the firms are also be in printed INVOICE format consisting of the above registration numbers.
15. No Free issue material will be given.


5.11.2020
Head, ESDS, PP&EMD
BARC, Visakhapatnam



Note:
i. Mirror finishing of metal parts.
ii. Buffing till transparent of all surfaces of perspex parts.
iii. No breakage of edges on perspex parts are allowed.