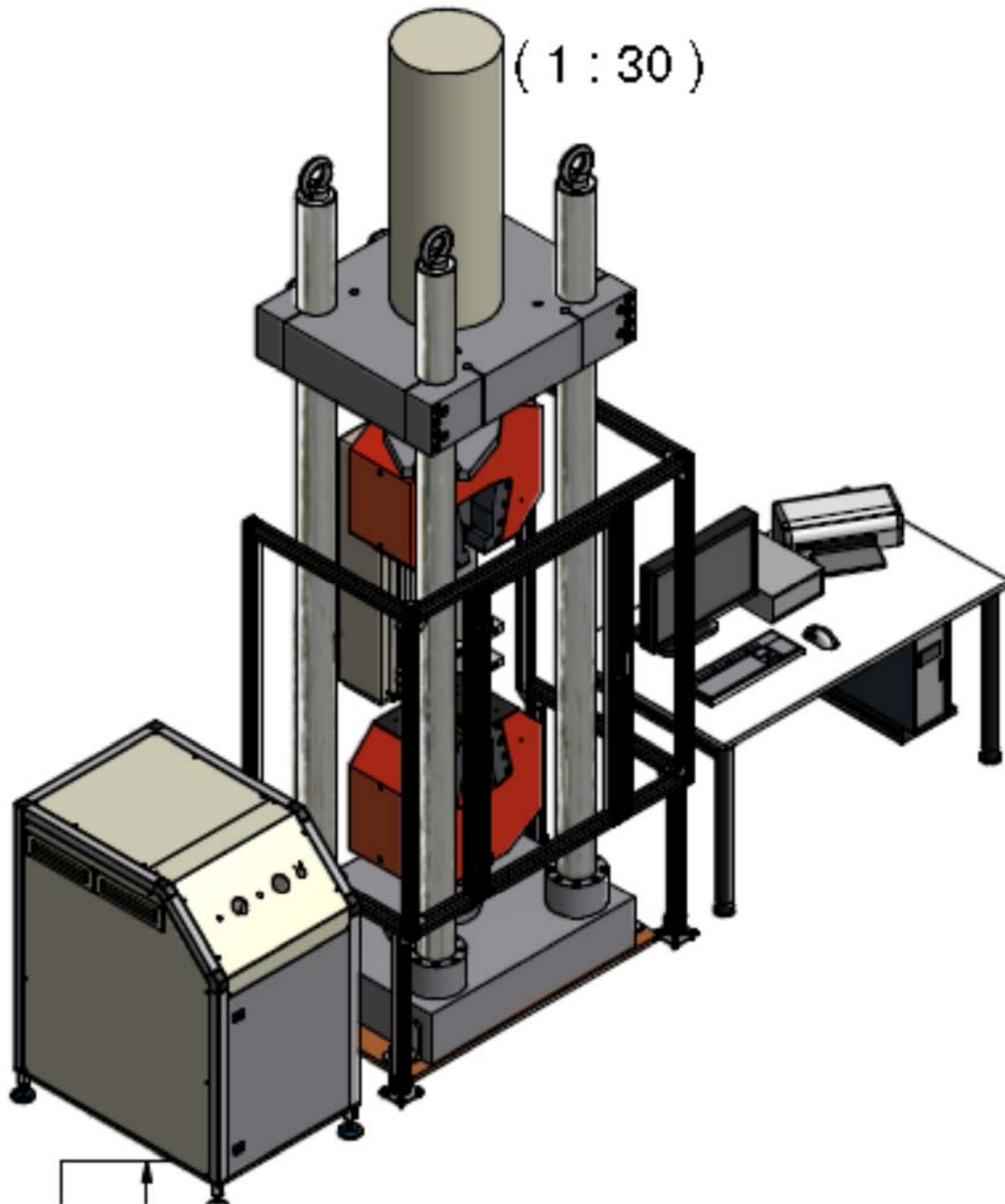


Universal Testing machine(UTM) 1200kN capacity



Universal Testing Machine(UTM) is used to characterize the properties of steel like Young's modulus, Ultimate strength, yield stress, ductility etc. It is used to evaluate the tensile capacity of various specimens. Plate specimen and round bar specimens can be tested in the machine. The machine is located at ground floor, Hall 11. The capacity of the machine is 1200kN.