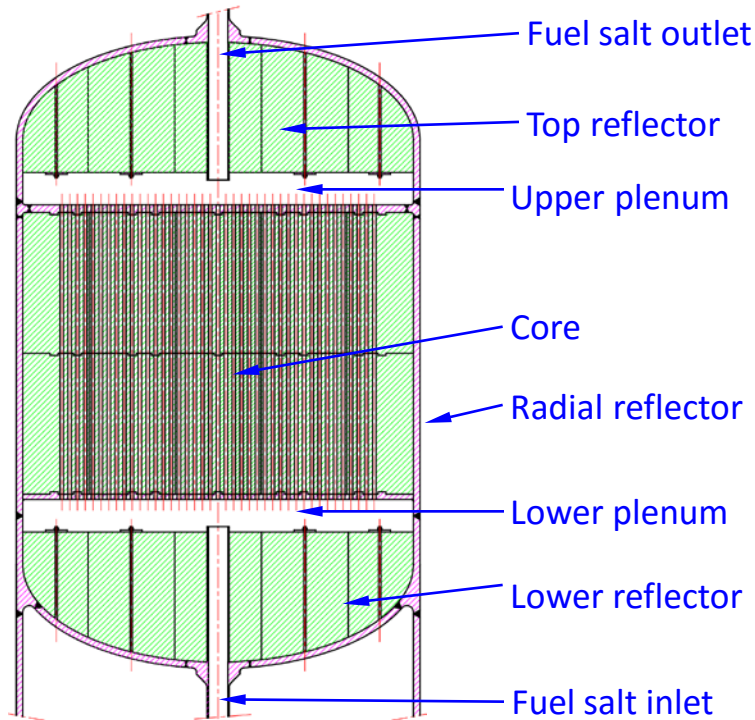
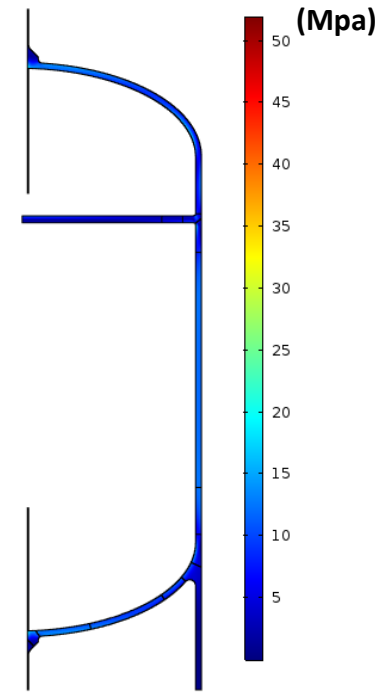


Core vessel for 5 MWth IMSBR



Layout of core vessel of 5 MWth IMSBR



Von-mises stresses for Level-A loading

- ❖ The core vessel of 5 MWth IMSBR designed (P0 version) considering the current reactor physics design and level-A service loadings.
- ❖ Low core power density selected to avoid replacement of graphite (moderator) during the lifetime of the reactor and overall dimensions of the vessel were finalised.
- ❖ Metallic components (Ni-Mo-Cr-Ti alloy) designed for 40 years design life as per ASME Sec. III Div. 5 guidelines.
- ❖ Additional R&D areas for its fabrication have been identified.